

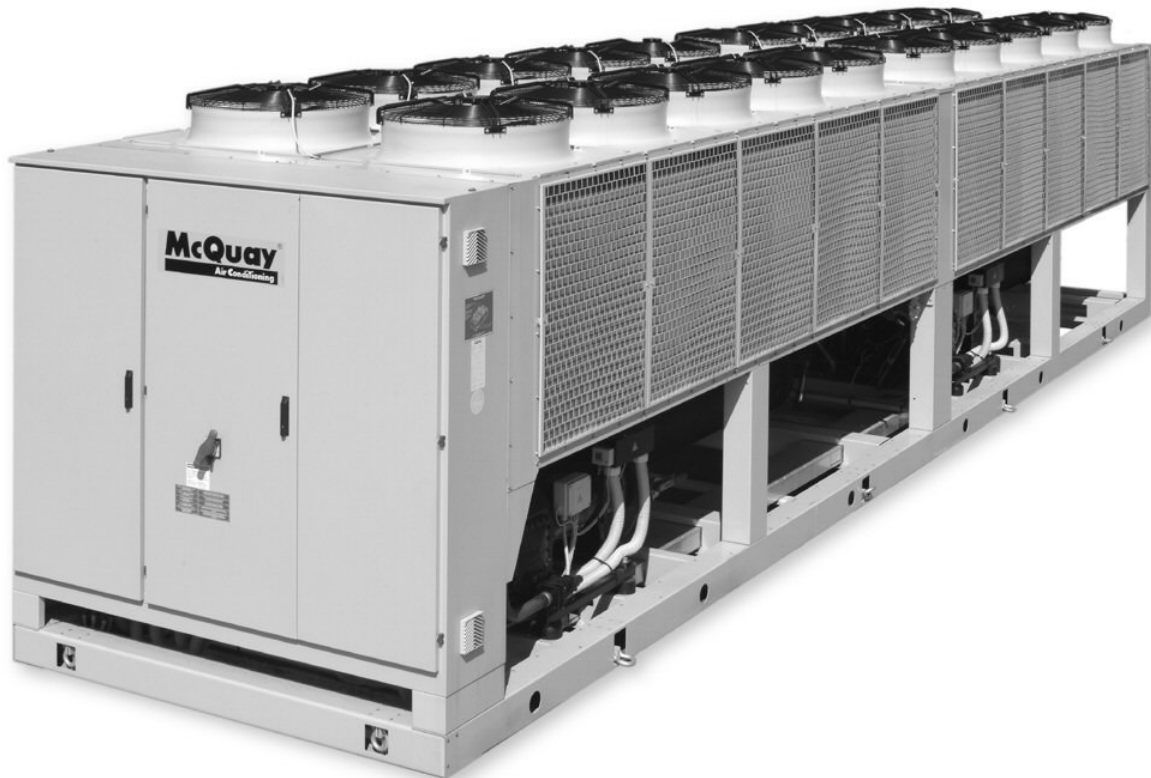
Air cooled screw chillers

ALS F 163.2÷520.4

Standard Efficiency – Cooling capacity from 538 to 1772 kW

High Efficiency – Cooling capacity from 569 to 1920 kW

50Hz – Refrigerant: HFC 134a



McQuay is participating in the Eurovent Certification Program. Product are as listed in the Eurovent Directory of Certified Products and on the web site www.eurovent-certification.com



ALS F air cooled screw chillers

McQuay air cooled ALS F units are equipped with the last generation of McQuay StarGate™ Frame 4 single screw compressors. They are manufactured by McQuay to satisfy the requirements of the consultants and the end user. McQuay ALS F units are designed to minimize energy costs while maximizing the refrigeration capacities. Once again McQuay has developed a line of chillers unsurpassed in performance and quality that will meet the most stringent requirements of comfort cooling, ice storage and process applications.

McQuay's chiller design experience combined with outstanding features makes the ALS F chiller unmatched in the industry.

Lower noise – higher flexibility

The McQuay original compressor design with a single screw and twin rotors allows a constant gas flow. This compression process completely eliminates gas pulsations. The oil injection also results in significant mechanical noise reduction.

The twin gas compressor discharge chambers are designed to act as attenuators, based on the harmonic wave principle with destructive interference, thus always resulting almost equal to zero. The extremely low noise compressor performance allows the use of ALS F chiller for all applications.

The reduced level of vibrations produced from the ALS F chillers offers a surprisingly quiet operation eliminating the noise transmission through the structure and the chilled water piping system.

Code requirements

All ALS F units are designed and manufactured in accordance with applicable selections of the following which are equivalent to American Air-conditioning industry applicable codes:

Rating of chillers: EN 12055.

Construction of pressure vessel: TUV Standards (on request).

Electrical codes: IEC 204-1 CEI 44-5 Elect. & Safety Codes

Safety Codes: CEI-EN 60204–1 Codes.

Manufacturing Quality Stds: ISO 9001:2000.

Infinitely variable capacity control

Cooling capacity control is infinitely variable by means of a capacity slide controlled by microprocessor system. Each unit has infinitely variable capacity control from 100% down to 6.25% (four compressors units), to 8.3% (three compressors units) to 12.5% (two compressors units). This modulation allows the compressor capacity to exactly match the building-cooling load. The result is a decrease in chiller energy costs, particularly at the part-load conditions at which the chiller operates most of the time.

Additionally, in some case there should be the possibility to avoid inertial tank in the water circuit.

8 different lines

ALS F line is available with two different efficiencies in order to satisfy every kind of requirements.

Acoustic flexibility down to 65 dBA thanks to different noise level versions:

- **SE Standard Efficiency** with COP up to **3,15** (nominal conditions and only compressor power input).
 - **ST** Standard noise – 79,0 ÷ 80,0 dBA
 - **LN** Low noise – 73,5 ÷ 76,5 dBA
 - **XN** Extra low noise – 71,5 ÷ 73,0 dBA
 - **XXN** Super quiet – 65,0 ÷ 66,5 dBA

- **XE High Efficiency** with COP up to **3,70** (nominal conditions and only compressor power input).
Also suitable for all high ambient application.
 - **ST** Standard noise – 79,0 ÷ 80,0 dBA
 - **LN** Low noise – 73,5 ÷ 76,5 dBA
 - **XN** Extra low noise – 71,5 ÷ 73,0 dBA
 - **XXN** Super quiet – 65,0 ÷ 66,5 dBA

ST – Standard version with additional base frame for compressors and oil separators installed on rubber isolators to eliminate the vibrations.

LN – Version with additional base frame for compressors and oil separators installed on rubber isolators to eliminate the vibrations. Discharge flexible pipes and condenser fans rotating at fixed low speed.

XN – The main components are the same of LN version (same cooling capacity) but to reduce the sound level the compressors, the oil separators and delivery and suction pipes are located inside a cabinet which is sound insulated with highly absorbent acoustic material. Discharge flexible pipes and condenser fans rotating at fixed low speed are supplied as standard.

XXN The main components are the same of LN version (same cooling capacity) but to reduce the sound level the compressors, the oil separators and delivery and suction pipes are located inside a cabinet which is sound insulated with highly absorbent acoustic material. Discharge flexible pipes, condenser fans rotating at extremely low speed and fan speed control device are supplied as standard.

Unmatched serviceability

Field serviceability has not been sacrificed. Inspection covers allows visual inspection of the main screw and gaterotors.

Outstanding reliability features

Full factory testing of all the units ensures a trouble free start-up. Extensive test makes certain that each safety and operating control is properly adjusted, and operates correctly.

General characteristics

Cabinet and structure

The cabinet of ALS F units is made of galvanized steel sheet and painted to provide a high resistance to corrosion. The unit base frame has holes to lift the unit with ropes for an easy installation. The weight is uniformly distributed along the profiles of the base and this facilitates the arrangement of the unit. For the units XN & XXN the compressors and the oil separators are located inside a cabinet that is sound insulated in order to reduce their noise.

Screw compressors

The Stargate™ single-screw compressor has a well-balanced compression mechanism that cancels the screw rotor load in both the radial and axial directions. Inherent to the basic single-screw compressor design is the virtually load-free operation, that gives main bearing design life of 3-4 times greater than twin-screws, and eliminates expensive and complicated thrust balancing schemes. The two exactly opposed gaterotors create two exactly opposed compression cycles. Compression is made at the lower and upper parts of the screw rotor at the same time, thus canceling the radial loads. Also, both ends of the screw rotor are subjected to suction pressure only, which cancels the axial loads and eliminates the huge thrust loads inherent in twin-screw compressors.

Oil injection is used for these compressors in order to get high COP at high condensing pressure. ALS F units are provided with a high efficiency oil separator to maximize oil extraction. Compressors have an infinitely variable capacity control down to 25% of its total capacity. This control is made by means of capacity slides controlled by microprocessors.

Standard start is star-delta type; Soft start type is available (as option) in order to have lower inrush current.

Ecological HFC 134a refrigerant

McQuay has designed and optimized Stargate™ compressors to operate with HFC 134a, ecological refrigerant with zero ODP (Ozone Depletion Potential) and very low GWP (Global Warming Potential) that means low TEWI (Total Equivalent Warming Impact).

Evaporator

The units are supplied with optimised counter-flow evaporator single refrigerant pass. It is direct expansion (2 evaporators for units with 4 compressors) with refrigerant inside the tubes and water outside (shell side) with carbon steel tube sheets, with straight copper tubes that are spirally wound internally for higher efficiencies, expanded on the tube plates. The external shell is linked with an electrical heater to prevent freezing to -28 C ambient temperature, commanded by a thermostat and is covered with a closed cell

insulation material. Each evaporator has 2 or 3 refrigerant circuits one for each compressor. Each evaporator is manufactured in accordance to PED approval.

Condenser coils

ALS F units are constructed with internally enhanced seamless copper tubes arranged in a staggered row pattern and mechanically expanded into McQuay lanced and rippled aluminum condenser fins with full fin collars. An integral sub-cooler circuit provides sub-cooling to effectively eliminate liquid flashing and increases in cooling capacity without increasing the power input.

Condenser coil fans

The condenser fans are helical type with wing-profile blades to achieve a better performance. The direct coupling with the electrical motor eliminates any problems with regard to the application of transmission devices reducing vibrations caused by the functioning. The three-phase type motors are supplied as standard with IP54 protection (Insulation class F); they are protected against overloading and short circuits by circuit breakers located inside the electrical control panel.

Electronic expansion valve

ALS F air cooled chiller is equipped with the most advanced electronic expansion valve to achieve precise control of refrigerant mass flow. As today's system requires improved energy efficiency, tighter temperature control, wider range of operating conditions and incorporate features like remote monitoring and diagnostics, the application of electronic expansion valves becomes mandatory. ALS F electronic expansion valve proposes features that makes it unique: short opening and closing time, high resolution, positive shut-off function to eliminate use of additional solenoid valve, highly linear flow capacity, continuous modulation of mass flow without stress in the refrigerant circuit and corrosion resistance stainless steel body.

Electrical control panel

Power and control are located into two sections of the main panel that is manufactured to insure protection for all weather conditions.

The power panel is fitted with an interlocked door main isolator to prevent access while power supply is on. Electrical panel is IP54.

Power section includes - The power section includes contactors, all compressors fuses, fans magneto-thermal relays, and control circuit transformer. Additional space is provided for an easy installation of the various optional accessories provided to enhance the ALS F units capabilities.

Certifications

All the ALS F units are CE marked (89/392). McQuay Italia obtained ISO 9001:2000.

Water content in cooling circuits

The cooled water distribution circuits should have minimum water content to avoid excessive compressors start and stop.

In fact, each time the compressor starts up, an excessive quantity of oil goes from the compressor sump and simultaneously there is a rise in the temperature of the compressor motor's stator due to the inrush current during the start-up. To prevent damage to the compressors, McQuay has envisaged the application of a device to limit frequent stops and restarts.

During the span of one hour there will be no more than 6 starts of the compressor. The plant side should therefore ensure that the overall water content allows a more constant functioning of the unit and consequently greater environmental comfort. The minimum water content per unit should be calculated with a certain approximation using this simplified formula:

$$(1) \quad Q = 35,83 \times \frac{P \text{ (kW)}}{\Delta T \text{ (}^\circ\text{C)}}$$

where:

Q = minimum water content per unit expressed in litres

P = minimum cooling capacity of the unit expressed in kW

ΔT = evaporator entering / leaving water temperature difference expressed in $^\circ\text{C}$

For more accurate determination of quantity of water, it is advisable to contact the designer of the plant.

MicroTech II C Plus controller

MicroTech II C Plus controller is installed as standard on all the units; it can be used to modify unit set points and check control parameters. A display illustrates the machine's operating status, programmable values and set points e.g. temperatures, and pressures of fluids (water, refrigerant). Device controls maximize the McQuay chillers energy efficiency and reliability characteristics. It uses sophisticated software with predictive logic to select the most energy efficient combination of compressor, EEXV and condenser fan to keep stable operating conditions and maximize energy efficiency. The compressors are automatically rotated to ensure equal operating hours. MicroTech II protects critical components in response to external signals from its system sensors measuring: motor temperatures, refrigerant gas and oil pressures, correct phases sequence and phase loss.

Control section - main features:

- Management of the compressor capacity slide and the EEX valve according to the distributed multiprocessor logic system
- Chillers enabled to work in partial failure condition thanks to the distributed multiprocessor logic system
- Full routine operation at condition of:
 - High ambient temperature value
 - High thermal load
 - High evaporator entering water temperature (start-up)
- Display of evaporator entering/leaving water temperature
- Display of condensing-evaporating temperature and pressure, suction and discharge superheat temperature for each circuit
- Leaving water cooled temperature regulation. Temperature tolerance $\pm 0,1\text{ }^{\circ}\text{C}$
- Compressors and evaporator/condenser pumps hours counter
- Display of Status Safety Devices
- Start up numbers and compressors working hours equalization
- Excellent management of compressors load
- Cooling tower's fans management according to condensing pressure
- Automatic re-start in case of power supply interruption (adjustable)
- Soft Load
- Return Reset
- AOT Reset (optional)
- Set-point Reset
- Demand limit or Current limit (optional)
- Speedtrol control (optional)

Safety for each refrigerant circuit

High pressure (pressure switch)

Low pressure (pressure switch)

Compressor overload (optional)

Condensation fan Magneto-thermal

High Discharge Temperature on the compressor

Phase Monitor

Star / Delta Transition Failed

Low Delta Pressure between Suction and Discharge

Low pressure ratio

High oil pressure drop

Low oil pressure

System security

Phase monitor

Freeze protection

An evaporator's flow controller input (stops the unit)

Remote on/off input.

Regulation type

Proportional + integral + derivative regulation on the input probe of the evaporator water leaving temperature.

Condensation

The condensation can be carried out according to temperature or pressure. The fans can be managed according to ON/OFF mode or with a 0/10 V modulating signal.

MicroTech II C Plus terminal

The MicroTech II C Plus terminal has following features:

- 4-lines by 20-character liquid crystal display back lighted
- Key-pad consisting of 15 keys " clear language display "
- Memory to protect the data
- General faults alarm led
- 4-level password access to modify the setting
- Service report displaying all running hours and general conditions
- Memorized alarm history to facilitate the fault's analysis.

MicroPlant™:

Solution for: tele-maintenance and supervisory systems

MicroTech II C Plus can be monitored locally or via modem by MicroPlant™ supervision program that runs on PC systems under Windows '95 – '98.

MicroPlant™ is the best solution:

- To centralize all the information in just one local and/or remote PC
- To check all the parameters for each unit connected
- Data logging of temperature - pressure
- Printouts of alarms, parameters and graphs
- To control several plants located in different geographical areas from a central station
- To manage the Service centers

MicroPlant™ allows:

- Visualization of all working conditions for each controller
- Visualization of their graphics
- Display, print-out of the actual alarms
- Connection between local and remote computer via telephone line (Modem)
- Units ON / OFF
- Set point change.

MicroTech II C Plus remote control

Compatibility with supervisory systems is becoming increasingly important in HVAC. MicroTech II C Plus allows easy interfacing with BMS (Building Management Systems), the external world that can be:

- full compatible Siemens, Johnson;
- every MODBUS compatible system (Satchwell, Honeywell);
- BacNet point to point, ECHELON FTT10 (available on request).

Standard Accessories (on basic unit)

Star Delta Compressors starter – For low inrush current and reduced starting torque.

Thermal relays fans – Safety devices against fans motor overloading.

Phase monitor – The phase monitor controls that phases sequence is correct and controls the phase loss.

Evaporator electric heater – Electric heater controlled by a thermostat to protect the evaporator from freezing down to -28°C ambient temperature.

Evaporator connection water side Victaulic – Hydraulic joint with gasket for an easy and quick water connection.

Alarm from external device – Microprocessor is able to receive an alarm signal from an external device (pump etc...). User can decide if this alarm signal will stop or not the unit.

General fault relay – Contactor for the alarm warning.

Options (on request)

Total heat recovery – Produced with shell and tube heat exchangers to produce hot water up to +55° C. The heat exchangers are mounted on the refrigerant circuits parallel to the condenser coils to remove all the condensation heat.

Partial heat recovery – Produced with plate-to-plate heat exchangers installed between the compressor discharge and the condenser coil. These allow hot water to be produced up to a maximum temperature of +55°C.

Brine double set point version (CB) - Dual leaving glycol mixture temperature set-points. The lower set-point can go down to -8°C. This function allows changing the Set Point between 2 settable values. In case of evaporator leaving water temperature below 4°C is recommended to choose also 20mm evaporator insulation option.

Compressor thermal overload relays – Safety devices against compressor motor overloading in addition to the normal protection envisaged by the electrical windings.

Ammeter and voltmeter - Digital meters of unit drawn amperes and voltage values, installed on the electrical control panel.

Absorbed Current Limit / Display – This options allows to monitor the chiller absorbed current with possibility to set a limit value. This option excludes the Demand Limit.

Condenser power factor correction - Installed on the electrical control panel to ensure it conforms to the plant rules. (McQuay advises maximum 0,9).

100 Pa lift fans – For all the applications where a higher fans lift is required (not available for LN, XN and XXN version).

250 Pa lift fans – For all the applications where a higher fans lift is required (not available for LN, XN and XXN version).

Fan speed control device - This device allows the continuous variation of the fan speed, modifying the air flow according to the external temperature conditions. It allows the unit working with air temperature down to -10°C.

Fan Silent Mode - The microprocessor clock switches the fan at low speed according to the client setting (i.e. Night & Day), providing that the ambient temperature/condensing pressure is allowing the speed change. It allows a perfect condensing control down to -10°C.

Speedtrol – Continuous fan speed modulation on the first fan of each circuit. It allows the unit working with air temperature down to -18°C.

Condenser coil guards - Metal protection guards fixed on all the external surface of the condenser coils.

Evaporator area guards – Metal protection guards around evaporator area.

Cu-Cu condensing coils - To give better protection against corrosion by aggressive environments.

Cu-Cu-Sn condensing coils - To give better protection against corrosion in aggressive environments and by salty air.

Alucoat condensing coils - Fins are protected by a special acrylic paint with a high resistance to corrosion.

20mm evaporator insulation – Useful in really heavy operating conditions.

Flow switch - Supplied separately to be wired and installed on the evaporator water piping (by the customer).

Suction line shut off valve – Suction shut-off valve installed on the suction port of the compressor to facilitate maintenance operation.

Spreader bars - Facilitate the lifting of the units keeping the ropes away from the unit's casing.

Rubber type vibration dumpings - Supplied separately, these are positioned under the base of the unit during installation. Ideal to reduce the vibrations when the unit is floor mounted.

Witness tests - The units are normally tested at the test bench prior to the shipment. On request, a second test can be carried out, at customer's presence, in accordance with the procedures indicated on the test form. (Not available for units with Glycol mixtures).

Soft start – Electronic starting device to reduce inrush current. An overload protection is included (no need of compressors thermal relays).

Over / Under Voltage – Phase monitor to control the minimum and maximum voltage value.

Water circulation pump – The pump is unit mounted. Hydronic kit consists of: one centrifugal pump direct driven, expansion tank, water feed circuit with pressure gauge, safety valve. The pump motor is protected by a circuit breaker installed in control panel. The kit is assembled and wired to the control panel.

Two water circulation pumps – Pumps units are unit mounted. Hydronic kit consists of: two centrifugal pumps direct driven, expansion tank, water feed circuit with pressure gauge, safety valve, check valves, shut-off valves. The pumps motors are protected by circuit breakers installed in control panel. The kit is assembled and wired to the control panel.

Note: spring type isolators (usually used with reciprocating chillers) are not recommended for the ALS F chiller because McQuay Frame 4 screw compressors do not generate low frequency vibrations.

Installation notes

Handling

Care should be taken to avoid rough handling or shock due to dropping the unit. Do not push or pull the unit from anything other than the base, and block the pushing vehicle away from the unit to prevent damage to the cabinet. Never allow the unit fall during unloading or moving as this may result in serious damage. To lift the unit, holes are provided in the base of the unit. Spreader bar and cables should be arranged to prevent damage to the condenser coil or unit cabinet.

Location

The ALS F units are produced for outside installation on roofs, floors or below ground level on condition that the area is free from obstacles for the passage of the condenser air. The unit should be positioned on solid foundations and perfectly level; in the case of installation on roofs or floors, it may be advisable to arrange the use of suitable weight distribution beams. When the units are installed on the ground, a concrete base at least 250 mm wider and longer than the unit's footprint should be laid. Furthermore, this base should withstand the unit weight mentioned in the technical data table. When the units are positioned in areas which are easily accessible by persons or animals, it is advisable to fit guards to protect the condenser coil guards and, when necessary, also guards to protect the evaporator area.

Space requirements

The ALS F units are air-cooled; hence it is important to observe the minimum distances that guarantee the best ventilation of the condenser coils. Limitations of space reducing the air flow could cause significant reductions in cooling capacity and an increase in electricity consumption.

To determinate unit placement, careful consideration must be given to assure a sufficient air flow across the condenser heat transfer surface. Two conditions must be avoided to achieve the best performance: warm air re-circulation and coil starvation.

Both these conditions cause an increase of condensing pressures that results in reductions in unit efficiency and capacity. The ALS F chiller performance is less affected in poor air flow situations because of its special condensing coil geometry.

Moreover McQuay's unique microprocessor has the ability to calculate the operating environment of the chiller and the capacity to optimize its performance staying on-line during abnormal conditions.

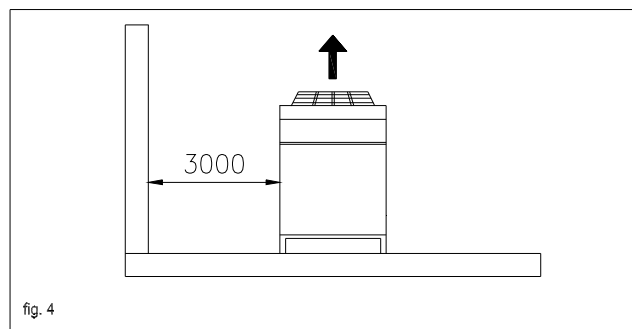
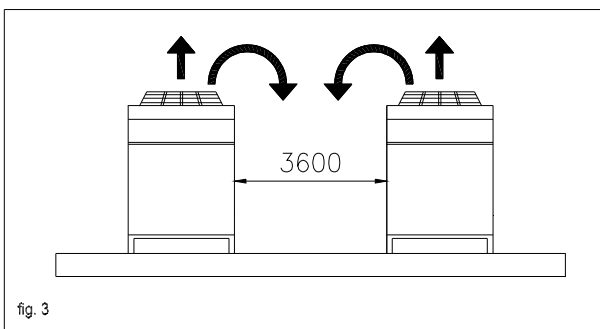
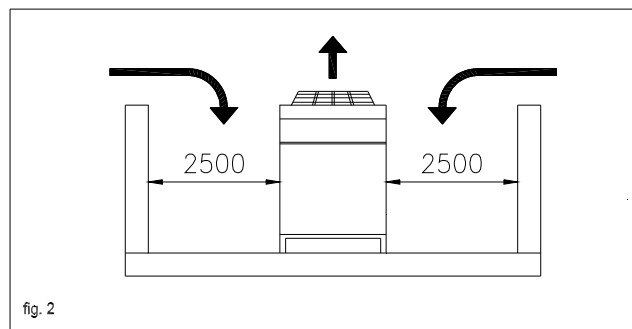
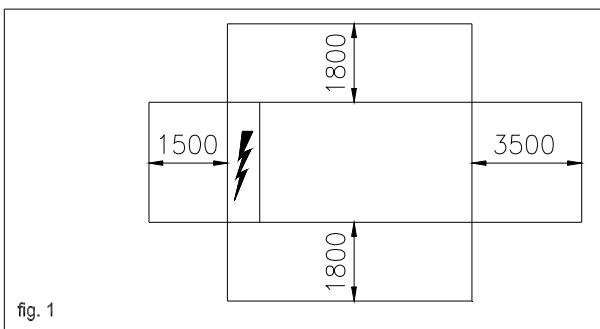
Each side of the unit must be accessible after installation for periodic service. Fig.1 shows you minimum recommended clearance requirements.

Vertical condenser air discharge must be unobstructed because the unit would have its capacity and efficiency significantly reduced.

If the units are positioned in places surrounded by walls or obstacles of the same height as the units, the units should be at least 2500 mm from obstacles (fig.2). In the event the obstacles are higher than the units, the units should be at least 3000 mm from the obstacle (fig.4). Units installed closer than the minimum recommended distance to a wall or other vertical riser may experience a combination of coil starvation and warm air re-circulation, thus causing reduction in unit capacity and efficiency reductions. Once again, the microprocessor will allow the chiller to stay on line, producing the maximum available capacity, even at less than recommended lateral clearances.

When two or more units are positioned side by side it is recommended that the condenser coils are at least 3600 mm distance from one another (fig.3); strong wind could be the cause of air warm re-circulation.

For other installation solutions, consult McQuay technicians.



Acoustic protection

The low noise levels of the ALS F units means that they meet the most restrictive regulations, thanks to the availability of four versions with different sound levels. When the noise level must meet special requirements it will be necessary to pay the maximum attention to ensure the perfect insulation of the unit from the support base by applying appropriate vibration-dampening devices, applying vibration-dampening mounts on the water pipes and on the electrical connections.

Table 1 – Operating limits – ALS F SE

Unit version		ST	LN	XN	XXN
Max ambient temperature	°C	+44	+40	+40	+40 (1)
Min ambient temperature	°C	+10 (2)	+10 (2)	+10 (2)	-10 (3)
Max leaving evaporator water temperature	°C	+9	+9	+9	+9
Min leaving evap. water temp. (without glycol)	°C	+4	+4	+4	+4
Min leaving evap. water temp. (with glycol)	°C	-8	-8	-8	-8
Max evaporator ΔT	°C	8	8	8	8
Min evaporator ΔT	°C	4	4	4	4

Notes:

- (1) When air temperature is higher than +32°C fan speed control device (standard on XXN units) sets up speed rotation increasing cooling capacity and sound pressure level.
- (2) When air temperature is lower than +10°C you need the fan speed control device. It allows the unit working with air temperature down to -10°C. Speedtrol allows to reach -18°C.
- (3) Fan speed control device is standard furnished on the XXN units.

Table 2 – Operating limits – ALS F XE

Unit version		ST	LN	XN	XXN
Max ambient temperature	°C	+48	+44	+44	+40
Min ambient temperature	°C	+10 (2)	+10 (2)	+10 (2)	-10 (3)
Max leaving evaporator water temperature	°C	+9	+9	+9	+9
Min leaving evap. water temp. (without glycol)	°C	+4	+4	+4	+4
Min leaving evap. water temp. (with glycol)	°C	-8	-8	-8	-8
Max evaporator ΔT	°C	8	8	8	8
Min evaporator ΔT	°C	4	4	4	4

Notes:

- (2) When air temperature is lower than +10°C you need the fan speed control device. It allows the unit working with air temperature down to -10°C. Speedtrol allows to reach -18°C.
- (3) Fan speed control device is standard furnished on the XXN units.

Table 3 – Evaporator fouling factors

Fouling factors m ² °C / kW	Cooling capacity correction factor	Power input correction factor	COP correction factor
0,0176	1,000	1,000	1,000
0,0440	0,978	0,986	0,992
0,0880	0,957	0,974	0,983
0,1320	0,938	0,962	0,975

Table 4 – Altitude correction factors

Elvation above sea level (m)	0	300	600	900	1200	1500	1800
Barometric pressure (mbar)	1013	977	942	908	875	843	812
Cooling cap.correction factor	1,000	0,993	0,986	0,979	0,973	0,967	0,960
Power input correction factor	1,000	1,005	1,009	1,015	1,021	1,026	1,031

Table 5 – Ethylene glycol and low ambient temperature correction factors

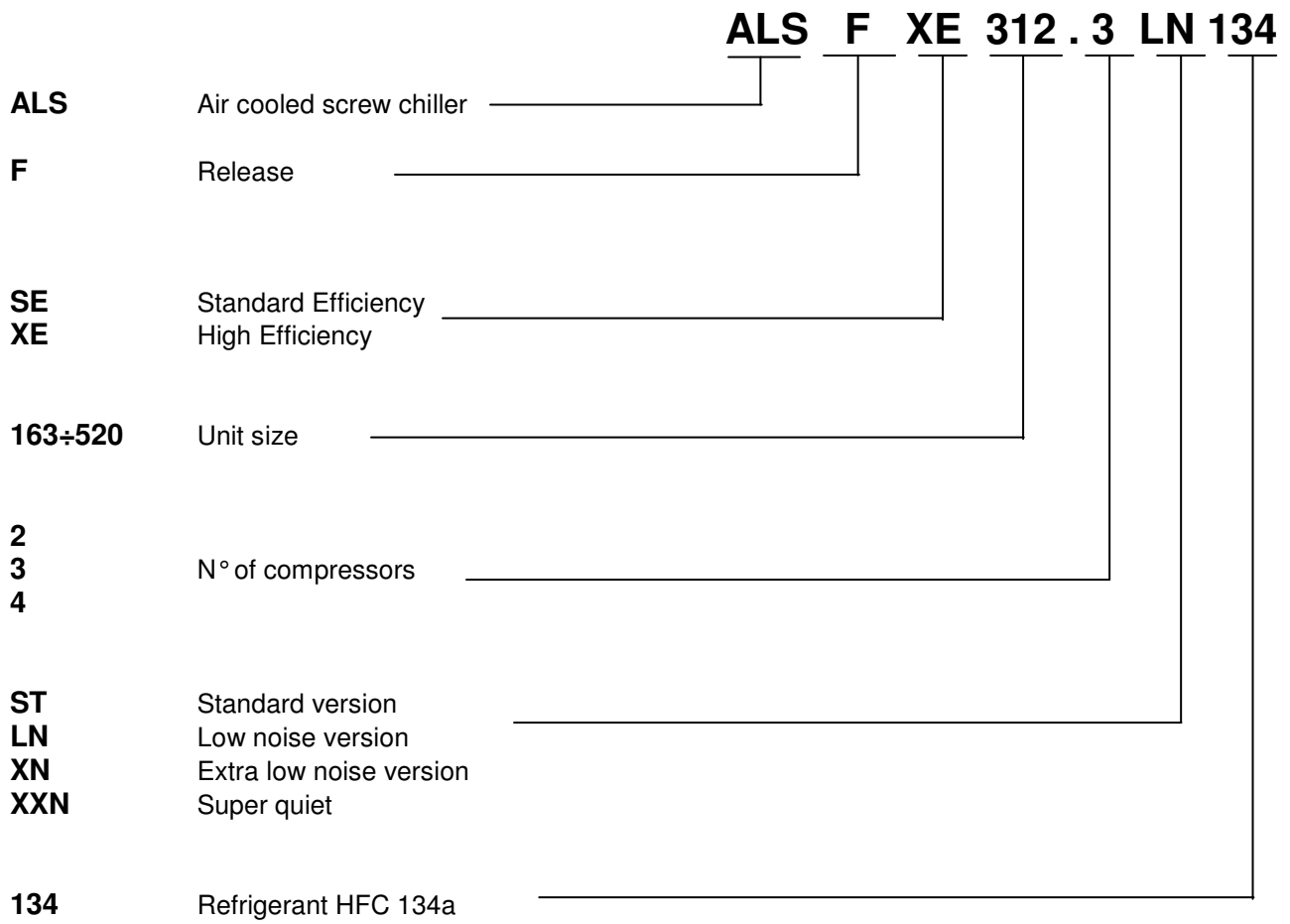
Air ambient temperature °C	-3	-8	-15	-23	-35
% of ethylene glycol by weight	10	20	30	40	50
Cooling capacity correction factor	0,991	0,982	0,972	0,961	0,946
Power input correction factor	0,996	0,992	0,986	0,976	0,966
Flow rate correction factor	1,013	1,040	1,074	1,121	1,178
Water pressure drops correction factor	1,070	1,129	1,181	1,263	1,308

Table 6 – Low temperature operation performance factors

Ethylene glycol/water leaving temperature °C	2	0	-2	-4	-6	-8
Max air ambient temperature °C (SE-ST)	40	39	38	37	36	35
Max air ambient temp. °C (SE-LN/XN/XXN)	36	35	34	33	32	31
Max air ambient temperature °C (XE-ST)	44	43	42	41	40	39
Max air ambient temperature °C (XE-LN/XN)	40	39	38	37	36	35
Max air ambient temperature °C (XE-XXN)	36	35	34	33	32	31
Cooling capacity correction factor	0,842	0,785	0,725	0,670	0,613	0,562
Power input compressors correction factor	0,95	0,94	0,92	0,89	0,87	0,84
Min. % of ethylene glycol	10	20	20	30	30	30

Low temperature operation performance factors must be applied to the nominal performance data to have the adjusted value (12/7 °C, design ambient temperature).

Nomenclature



Physical data ALS F SE ST HFC 134a

Unit size		178.2	196.2	212.2	229.2	241.2
Cooling capacity (1)	kW	640	700	761	817	886
Power input (1)	kW	217	233	253	270	282
COP		2,94	3,01	3,01	3,03	3,15
McQuay Screw compressors	N°	2	2	2	2	2
Refrigerant circuits	N°	2	2	2	2	2
Refrigerant charge HFC 134a	kg	99	108	118	128	128
Oil charge	l	28	28	28	28	28
Min % of capacity reduction	%	12,5	12,5	12,5	12,5	12,5

Condenser fans

No. of fans / nominal power fan	kW	9/1,7	10/1,7	11/1,7	12/1,7	12/1,7
Fan speed	rpm	860	860	860	860	860
Diameter	mm	800	800	800	800	800
Total air flow	m³/s	47,5	52,8	58,1	63,3	64,5

Evaporator

Evaporators / water volume	N°/l	1/254	1/254	1/246	1/246	1/246
Max operating pressure	bar	10,5	10,5	10,5	10,5	10,5
Water connection diameter	mm	168,3	168,3	168,3	168,3	168,3

Condenser coil

Coil type	Lanced fins – internally spiral wound tubes
------------------	---

Weight and dimensions

Standard unit shipping weight	kg	4910	4990	5256	5480	5580
Standard unit operating weight	kg	5130	5200	5520	5734	5834
Unit length	mm	5310	5310	6210	6210	6210
Unit width	mm	2230	2230	2230	2230	2230
Unit height	mm	2520	2520	2520	2520	2520

Unit size		Note (2)	279.3	296.3	312.3	327.3	344.3
Cooling capacity (1)	kW		988	1057	1109	1166	1226
Power input (1)	kW		334	345	369	386	404
COP			2,96	3,06	3,01	3,02	3,04
McQuay Screw compressors	N°		3	3	3	3	3
Refrigerant circuits	N°		3	3	3	3	3
Refrigerant charge HFC 134a	kg		153	162	172	182	192
Oil charge	l		42	42	42	42	42
Min % of capacity reduction	%		8,3	8,3	8,3	8,3	8,3

Condenser fans

No. of fans / nominal power fan	kW		14/1,7	16/1,7	16/1,7	18/1,7	18/1,7
Fan speed	rpm		860	860	860	860	860
Diameter	mm		800	800	800	800	800
Total air flow	m³/s		73,9	86,0	84,5	89,7	95,0

Evaporator

Evaporators / water volume	N°/l		1/415	1/415	1/402	1/402	1/402
Max operating pressure	bar		10,5	10,5	10,5	10,5	10,5
Water connection diameter	mm		219,1	219,1	219,1	219,1	219,1

Condenser coil

Coil type	Lanced fins – internally spiral wound tubes
------------------	---

Weight and dimensions

Standard unit shipping weight	kg		7550	7830	7830	8420	8420
Standard unit operating weight	kg		7970	8250	8250	8830	8830
Unit length	mm		7400	8270	8270	9200	9200
Unit width	mm		2230	2230	2230	2230	2230
Unit height	mm		2520	2520	2520	2520	2520

- Notes:** (1) Cooling capacity and power input are based on 12/7 °C entering/leaving water temp. and 35°C air ambient temp. Power input is for compressor only.
(2) For cooling capacity in the middle of 886kW and 988kW, select XE unit.

Physical data ALS F SE ST HFC 134a

Unit size		358.3	Note (2)	426.4	460.4	495.4
Cooling capacity (1)	kW	1322		1520	1641	1772
Power input (1)	kW	421		503	539	564
COP		3,14		3,02	3,05	3,15
McQuay Screw compressors	N°	3		4	4	4
Refrigerant circuits	N°	3		4	4	4
Refrigerant charge HFC 134a	kg	192		236	256	256
Oil charge	l	42		56	56	56
Min % of capacity reduction	%	8,3		6,25	6,25	6,25
Condenser fans						
No. of fans / nominal power fan	kW	18/1,7		22/1,7	24/1,7	24/1,7
Fan speed	rpm	860		860	860	860
Diameter	mm	800		800	800	800
Total air flow	m³/s	96,7		116,1	126,7	129
Evaporator						
Evaporators / water volume	N°/l	1/402		2/254+246	2/246+246	2/246+246
Max operating pressure	bar	10,5		10,5	10,5	10,5
Water connection diameter	mm	219,1		168,3	168,3	168,3
Condenser coil						
Coil type	Lanced fins – internally spiral wound tubes					
Weight and dimensions						
Standard unit shipping weight	kg	8570		9552	10632	10832
Standard unit operating weight	kg	8980		10024	11140	11340
Unit length	mm	9200		11000	11900	11900
Unit width	mm	2230		2230	2230	2230
Unit height	mm	2520		2520	2520	2520

- Notes:** (1) Cooling capacity and power input are based on 12/7 °C entering/leaving water temp. and 35°C air ambient temp. Power input is for compressor only.
(2) For cooling capacity in the middle of 1322kW and 1520kW, select XE unit.

Electrical data ALS F SE ST HFC 134a

Unit size		178.2	196.2	212.2	229.2	
Standard voltage (1)	400 V – 3f – 50 Hz					
Nominal unit current (2)	A	414	436	471	502	
Max compressor current (3)	A	435	460	501	542	
Fans current	A	36	40	44	48	
Max unit current (3)	A	471	500	545	590	
Max unit inrush current (4)	A	814	834	838	867	
Max unit current for wires sizing (5)	A	530	582	625	668	
Unit size		241.2	279.3	296.3	312.3	327.3
Standard voltage (1)	400 V – 3f – 50 Hz					
Nominal unit current (2)	A	497	632	658	688	726
Max compressor current (3)	A	548	664	687	730	773
Fans current	A	48	56	64	64	72
Max unit current (3)	A	596	720	751	794	845
Max unit inrush current (4)	A	867	998	1022	1022	1055
Max unit current for wires sizing (5)	A	668	821	877	916	963
Unit size		344.3	358.3	426.4	460.4	495.4
Standard voltage (1)	400 V – 3ph – 50 Hz					
Nominal unit current (2)	A	756	744	938	1004	994
Max compressor current (3)	A	816	820	1002	1084	1096
Fans current	A	72	72	88	96	96
Max unit current (3)	A	888	892	1090	1180	1192
Max unit inrush current (4)	A	1079	1079	1284	1292	1292
Max unit current for wires sizing (5)	A	1002	1002	1250	1336	1336

- Notes:** (1) Allowed voltage tolerance ± 10%. Voltage unbalance between phases must be within ± 3%.
(2) Nominal current are based on: 12/7 °C entering/leaving evaporator water temperature and 35°C ambient temp.
(3) Maximum current are based on: 14/9 °C entering/leaving evaporator water temperature and 44°C ambient temp.
(4) Inrush current of biggest compressor + 75 % of nominal absorbed current of the other compressor + fans current.
(5) Compressor FLA + fans current.

Physical data ALS F SE LN HFC 134a

Unit size		178.2	196.2	212.2	229.2	241.2
Cooling capacity (1)	kW	606	670	730	784	868
Power input (1)	kW	235	250	269	289	305
COP		2,58	2,68	2,71	2,71	2,84
McQuay Screw compressors	N°	2	2	2	2	2
Refrigerant circuits	N°	2	2	2	2	2
Refrigerant charge HFC 134a	kg	99	108	118	128	128
Oil charge	l	28	28	28	28	28
Min % of capacity reduction	%	12,5	12,5	12,5	12,5	12,5
Condenser fans						
No. of fans / nominal power fan	kW	9/1	10/1	11/1	12/1	12/1
Fan speed	rpm	680	680	680	680	680
Diameter	mm	800	800	800	800	800
Total air flow	m³/s	36,4	40,5	44,5	48,6	48,6
Evaporator						
Evaporators / water volume	N°/l	1/254	1/254	1/246	1/246	1/246
Max operating pressure	bar	10,5	10,5	10,5	10,5	10,5
Water connection diameter	mm	168,3	168,3	168,3	168,3	168,3
Condenser coil						
Coil type	Lanced fins – internally spiral wound tubes					
Weight and dimensions						
Standard unit shipping weight	kg	4910	4990	5256	5480	5580
Standard unit operating weight	kg	5130	5200	5520	5734	5834
Unit length	mm	5310	5310	6210	6210	6210
Unit width	mm	2230	2230	2230	2230	2230
Unit height	mm	2520	2520	2520	2520	2520

Unit size		Note (2)	279.3	296.3	312.3	327.3	344.3
Cooling capacity (1)	kW		945	1016	1062	1116	1175
Power input (1)	kW		360	371	395	414	432
COP			2,63	2,74	2,69	2,70	2,72
McQuay Screw compressors	N°		3	3	3	3	3
Refrigerant circuits	N°		3	3	3	3	3
Refrigerant charge HFC 134a	kg		153	162	172	182	192
Oil charge	l		42	42	42	42	42
Min % of capacity reduction	%		8,3%	8,3%	8,3%	8,3%	8,3
Condenser fans							
No. of fans / nominal power fan	kW		14/1	16/1	16/1	18/1	18/1
Fan speed	rpm		680	680	680	680	680
Diameter	mm		800	800	800	800	800
Total air flow	m³/s		56,7	66,0	64,8	68,8	72,9
Evaporator							
Evaporators / water volume	N°/l		1/415	1/415	1/402	1/402	1/402
Max operating pressure	bar		10,5	10,5	10,5	10,5	10,5
Water connection diameter	mm		219,1	219,1	219,1	219,1	219,1
Condenser coil							
Coil type	Lanced fins – internally spiral wound tubes						
Weight and dimensions							
Standard unit shipping weight	kg		7550	7830	7830	8420	8420
Standard unit operating weight	kg		7970	8250	8250	8830	8830
Unit length	mm		7400	8270	8270	9200	9200
Unit width	mm		2230	2230	2230	2230	2230
Unit height	mm		2520	2520	2520	2520	2520

Notes: (1) Cooling capacity and power input are based on 12/7 °C entering/leaving water temp. and 35°C air ambient temp. Power input is for compressor only.

(2) For cooling capacity in the middle of 868kW and 945kW, select XE unit.

Physical data ALS F SE LN HFC 134a

Unit size		358.3	Note (2)	426.4	460.4	495.4
Cooling capacity (1)	kW	1296		1457	1553	1735
Power input (1)	kW	456		546	573	610
COP		2,84		2,67	2,71	2,84
McQuay Screw compressors	N°	3		4	4	4
Refrigerant circuits	N°	3		4	4	4
Refrigerant charge HFC 134a	kg	192		236	256	256
Oil charge	l	42		56	56	56
Min % of capacity reduction	%	8,3		6,25	6,25	6,25
Condenser fans						
No. of fans / nominal power fan	kW	18/1		22/1	24/1	24/1
Fan speed	rpm	680		680	680	680
Diameter	mm	800		800	800	800
Total air flow	m³/s	73,6		89,0	97,1	98,0
Evaporator						
Evaporators / water volume	N°/l	1/402		2/254+246	2/246+246	2/246+246
Max operating pressure	bar	10,5		10,5	10,5	10,5
Water connection diameter	mm	219,1		168,3	168,3	168,3
Condenser coil						
Coil type	Lanced fins – internally spiral wound tubes					
Weight and dimensions						
Standard unit shipping weight	kg	8570		9552	10632	10832
Standard unit operating weight	kg	8980		10024	11140	11340
Unit length	mm	9200		11000	11900	11900
Unit width	mm	2230		2230	2230	2230
Unit height	mm	2520		2520	2520	2520

- Notes:** (1) Cooling capacity and power input are based on 12/7 °C entering/leaving water temp. and 35°C air ambient temp. Power input is for compressor only.
(2) For cooling capacity in the middle of 1296kW and 1457kW, select XE unit.

Electrical data ALS F SE LN HFC 134a

Unit size		178.2	196.2	212.2	229.2	
Standard voltage (1)	400 V – 3f – 50 Hz					
Nominal unit current (2)	A	416	438	474	510	
Max compressor current (3)	A	443	470	504	538	
Fans current	A	18	20	22	24	
Max unit current (3)	A	461	490	526	562	
Max unit inrush current (4)	A	797	815	817	846	
Max unit current for wires sizing (5)	A	512	562	603	644	
Unit size		241.2	279.3	296.3	312.3	327.3
Standard voltage (1)	400 V – 3f – 50 Hz					
Nominal unit current (2)	A	508	638	662	701	733
Max compressor current (3)	A	549	678	705	739	773
Fans current	A	24	28	32	32	34
Max unit current (3)	A	573	706	737	771	807
Max unit inrush current (4)	A	846	971	992	992	1021
Max unit current for wires sizing (5)	A	644	793	845	884	925
Unit size		344.3	358.3	426.4	460.4	495.4
Standard voltage (1)	400 V – 3f – 50 Hz					
Nominal unit current (2)	A	765	760	948	1020	1016
Max compressor current (3)	A	807	821	1008	1076	1097
Fans current	A	36	36	44	48	48
Max unit current (3)	A	843	857	1052	1124	1145
Max unit inrush current (4)	A	1050	1050	1249	1253	1253
Max unit current for wires sizing (5)	A	966	966	1206	1288	1288

- Notes:** (1) Allowed voltage tolerance ± 10%. Voltage unbalance between phases must be within ± 3%.
(2) Nominal current are based on: 12/7 °C entering/leaving evaporator water temperature and 35°C ambient temp.
(3) Maximum current are based on: 14/9 °C entering/leaving evaporator water temperature and 40°C ambient temp.
(4) Inrush current of biggest compressor + 75 % of nominal absorbed current of the other compressor + fans current.
(5) Compressor FLA + fans current.

Physical data ALS F SE XN HFC 134a

Unit size		178.2	196.2	212.2	229.2	241.2
Cooling capacity (1)	kW	606	670	730	784	868
Power input (1)	kW	235	250	269	289	305
COP		2,58	2,68	2,71	2,71	2,84
McQuay Screw compressors	N°	2	2	2	2	2
Refrigerant circuits	N°	2	2	2	2	2
Refrigerant charge HFC 134a	kg	99	108	118	128	128
Oil charge	l	28	28	28	28	28
Min % of capacity reduction	%	12,5	12,5	12,5	12,5	12,5
Condenser fans						
No. of fans / nominal power fan	kW	9/1	10/1	11/1	12/1	12/1
Fan speed	rpm	680	680	680	680	680
Diameter	mm	800	800	800	800	800
Total air flow	m³/s	36,4	40,5	44,5	48,6	48,6
Evaporator						
Evaporators / water volume	N°/l	1/254	1/254	1/246	1/246	1/246
Max operating pressure	bar	10,5	10,5	10,5	10,5	10,5
Water connection diameter	mm	168,3	168,3	168,3	168,3	168,3
Condenser coil						
Coil type	Lanced fins – internally spiral wound tubes					
Weight and dimensions						
Standard unit shipping weight	kg	5150	5230	5496	5720	5820
Standard unit operating weight	kg	5370	5440	5760	5974	6074
Unit length	mm	5310	5310	6210	6210	6210
Unit width	mm	2230	2230	2230	2230	2230
Unit height	mm	2520	2520	2520	2520	2520

Unit size		Note (2)	279.3	296.3	312.3	327.3	344.3
Cooling capacity (1)	kW		945	1016	1062	1116	1175
Power input (1)	kW		360	371	395	414	432
COP			2,63	2,74	2,69	2,70	2,72
McQuay Screw compressors	N°		3	3	3	3	3
Refrigerant circuits	N°		3	3	3	3	3
Refrigerant charge HFC 134a	kg		153	162	172	182	192
Oil charge	l		42	42	42	42	42
Min % of capacity reduction	%		8,3	8,3	8,3	8,3	8,3
Condenser fans							
No. of fans / nominal power fan	kW		14/1	16/1	16/1	18/1	18/1
Fan speed	rpm		680	680	680	680	680
Diameter	mm		800	800	800	800	800
Total air flow	m³/s		56,7	66,0	64,8	68,8	72,9
Evaporator							
Evaporators / water volume	N°/l		1/415	1/415	1/402	1/402	1/402
Max operating pressure	bar		10,5	10,5	10,5	10,5	10,5
Water connection diameter	mm		219,1	219,1	219,1	219,1	219,1
Condenser coil							
Coil type	Lanced fins – internally spiral wound tubes						
Weight and dimensions							
Standard unit shipping weight	kg		7910	8190	8190	8780	8930
Standard unit operating weight	kg		8330	8610	8610	9190	9340
Unit length	mm		7400	8270	8270	9200	9200
Unit width	mm		2230	2230	2230	2230	2230
Unit height	mm		2520	2520	2520	2520	2520

- Notes:** (1) Cooling capacity and power input are based on 12/7 °C entering/leaving water temp. and 35°C air ambient temp.
Power input is for compressor only.
(2) For cooling capacity in the middle of 868kW and 945kW, select XE unit.

Physical data ALS F SE XN HFC 134a

Unit size		358.3	Note (2)	426.4	460.4	495.4
Cooling capacity (1)	kW	1296		1457	1553	1735
Power input (1)	kW	456		546	573	610
COP		2,84		2,67	2,71	2,84
McQuay Screw compressors	N°	3		4	4	4
Refrigerant circuits	N°	3		4	4	4
Refrigerant charge HFC 134a	kg	192		236	256	256
Oil charge	l	42		56	56	56
Min % of capacity reduction	%	8,3		6,25	6,25	6,25
Condenser fans						
No. of fans / nominal power fan	kW	18/1		22/1	24/1	24/1
Fan speed	rpm	680		680	680	680
Diameter	mm	800		800	800	800
Total air flow	m³/s	73,6		89,0	97,1	98,0
Evaporator						
Evaporators / water volume	N°/l	1/402		2/254+246	2/246+246	2/246+246
Max operating pressure	bar	10,5		10,5	10,5	10,5
Water connection diameter	mm	219,1		168,3	168,3	168,3
Condenser coil						
Coil type	Lanced fins – internally spiral wound tubes					
Weight and dimensions						
Standard unit shipping weight	kg	9080		10032	11112	11312
Standard unit operating weight	kg	9490		10504	11620	11820
Unit length	mm	9200		11000	11900	11900
Unit width	mm	2230		2230	2230	2230
Unit height	mm	2520		2520	2520	2520

- Notes:** (1) Cooling capacity and power input are based on 12/7 °C entering/leaving water temp. and 35°C air ambient temp. Power input is for compressor only.
(2) For cooling capacity in the middle of 1296kW and 1457kW, select XE unit.

Electrical data ALS F SE XN HFC 134a

Unit size		178.2	196.2	212.2	229.2	
Standard voltage (1)	400 V – 3f – 50 Hz					
Nominal unit current (2)	A	416	438	474	510	
Max compressor current (3)	A	443	470	504	538	
Fans current	A	18	20	22	24	
Max unit current (3)	A	461	490	526	562	
Max unit inrush current (4)	A	797	815	817	846	
Max unit current for wires sizing (5)	A	512	562	603	644	
Unit size		241.2	279.3	296.3	312.3	327.3
Standard voltage (1)	400 V – 3f – 50 Hz					
Nominal unit current (2)	A	508	638	662	701	733
Max compressor current (3)	A	549	678	705	739	773
Fans current	A	24	28	32	32	34
Max unit current (3)	A	573	706	737	771	807
Max unit inrush current (4)	A	846	971	992	992	1021
Max unit current for wires sizing (5)	A	644	793	845	884	925
Unit size		344.3	358.3	426.4	460.4	495.4
Standard voltage (1)	400 V – 3f – 50 Hz					
Nominal unit current (2)	A	765	760	948	1020	1016
Max compressor current (3)	A	807	821	1008	1076	1097
Fans current	A	36	36	44	48	48
Max unit current (3)	A	843	857	1052	1124	1145
Max unit inrush current (4)	A	1050	1050	1249	1253	1253
Max unit current for wires sizing (5)	A	966	966	1206	1288	1288

- Notes:** (1) Allowed voltage tolerance ± 10%. Voltage unbalance between phases must be within ± 3%.
(2) Nominal current are based on: 12/7 °C entering/leaving evaporator water temperature and 35°C ambient temp.
(3) Maximum current are based on: 14/9 °C entering/leaving evaporator water temperature and 40°C ambient temp.
(4) Inrush current of biggest compressor + 75 % of nominal absorbed current of the other compressor + fans current.
(5) Compressor FLA + fans current.

Physical data ALS F SE XXN HFC 134a

Unit size		163.2	178.2	196.2	212.2	229.2	240.3
Cooling capacity (1)	kW	539	597	650	709	759	812
Power input (1)	kW	229	246	262	285	307	340
COP		2,35	2,43	2,48	2,48	2,47	2,39
McQuay Screw compressors	N°	2	2	2	2	2	3
Refrigerant circuits	N°	2	2	2	2	2	3
Refrigerant charge HFC 134a	kg	98	107	116	126	136	147
Oil charge	l	28	28	28	28	28	42
Min % of capacity reduction	%	12,5	12,5	12,5	12,5	12,5	8,3
Condenser fans							
No. of fans / nominal power fan	kW	10/0,3	11/0,3	12/0,3	13/0,3	14/0,3	16/0,3
Fan speed	rpm	500	500	500	500	500	500
Diameter	mm	800	800	800	800	800	800
Total air flow	m ³ /s	25,6	28,2	30,8	33,3	35,9	42,1
Evaporator							
Evaporators / water volume	N°/l	1/261	1/254	1/254	1/246	1/246	1/424
Max operating pressure	bar	10,5	10,5	10,5	10,5	10,5	10,5
Water connection diameter	mm	168,3	168,3	168,3	168,3	168,3	219,1
Condenser coil							
Coil type	Lanced fins – internally spiral wound tubes						
Weight and dimensions							
Standard unit shipping weight	kg	5230	5445	5659	5900	6030	8190
Standard unit operating weight	kg	5440	5650	5864	6150	6280	8610
Unit length	mm	5310	6210	6210	7110	7110	8300
Unit width	mm	2230	2230	2230	2230	2230	2230
Unit height	mm	2520	2520	2520	2520	2520	2520

Unit size		260.3	279.3	296.3	312.3	327.3	344.3
Cooling capacity (1)	kW	869	921	974	1055	1086	1152
Power input (1)	kW	361	377	393	406	438	449
COP		2,41	2,45	2,48	2,60	2,48	2,57
McQuay Screw compressors	N°	3	3	3	3	3	3
Refrigerant circuits	N°	3	3	3	3	3	3
Refrigerant charge HFC 134a	kg	156	165	174	184	194	204
Oil charge	l	42	42	42	42	42	42
Min % of capacity reduction	%	8,3	8,3	8,3	8,3	8,3	8,3
Condenser fans							
No. of fans / nominal power fan	kW	16/0,3	18/0,3	18/0,3	20/0,3	20/0,3	22/0,3
Fan speed	rpm	500	500	500	500	500	500
Diameter	mm	800	800	800	800	800	800
Total air flow	m ³ /s	41,0	43,6	46,1	51,3	51,3	56,4
Evaporator							
Evaporators / water volume	N°/l	1/415	1/415	1/415	1/402	1/402	1/402
Max operating pressure	bar	10,5	10,5	10,5	10,5	10,5	10,5
Water connection diameter	mm	219,1	219,1	219,1	219,1	219,1	219,1
Condenser coil							
Coil type	Lanced fins – internally spiral wound tubes						
Weight and dimensions							
Standard unit shipping weight	kg	8190	8725	8725	9310	9310	9750
Standard unit operating weight	kg	8610	9150	9150	9720	9720	10160
Unit length	mm	8300	9200	9200	10100	10100	11000
Unit width	mm	2230	2230	2230	2230	2230	2230
Unit height	mm	2520	2520	2520	2520	2520	2520

Note: (1) Cooling capacity and power input are based on 12/7 °C entering/leaving water temp. and 32°C air ambient temp.
Power input is for compressor only.

Electrical data ALS F SE XXN HFC 134a

Unit size		163.2	178.2	196.2	212.2	229.2	240.3
Standard voltage (1)		400 V – 3f – 50 Hz					
Nominal unit current (2)	A	414	439	468	512	556	605
Max compressor current (3)	A	440	473	506	558	610	660
Fans current	A	10	11	12	13	14	16
Max unit current (3)	A	450	484	518	571	624	676
Max unit inrush current (4)	A	796	797	819	820	854	958
Max unit current for wires sizing (5)	A	456	505	554	594	634	685

Unit size		260.3	279.3	296.3	312.3	327.3	344.3
Standard voltage (1)		400 V – 3f – 50 Hz					
Nominal unit current (2)	A	640	666	702	733	791	818
Max compressor current (3)	A	693	726	759	811	863	895
Fans current	A	16	18	18	20	20	22
Max unit current (3)	A	709	744	777	831	883	917
Max unit inrush current (4)	A	958	980	1000	1002	1035	1070
Max unit current for wires sizing (5)	A	733	783	831	872	911	952

- Notes:**
- (1) Allowed voltage tolerance $\pm 10\%$. Voltage unbalance between phases must be within $\pm 3\%$.
 - (2) Nominal current are based on: 12/7 °C entering/leaving evaporator water temperature and 35°C ambient temp.
 - (3) Maximum current are based on: 14/9 °C entering/leaving evaporator water temperature and 40°C ambient temp.
 - (4) Inrush current of biggest compressor + 75 % of nominal absorbed current of the other compressor + fans current.
 - (5) Compressor FLA + fans current.

Physical data ALS F XE ST HFC 134a

Unit size		178.2	196.2	212.2	229.2	241.2	258.2
Cooling capacity (1)	kW	667	723	800	855	903	926
Power input (1)	kW	204	217	237	255	268	260
COP		3,27	3,33	3,38	3,36	3,37	3,57
McQuay Screw compressors	N°	2	2	2	2	2	2
Refrigerant circuits	N°	2	2	2	2	2	2
Refrigerant charge HFC 134a	kg	107	116	126	136	136	146
Oil charge	l	28	28	28	28	28	28
Min % of capacity reduction	%	12,5	12,5	12,5	12,5	12,5	12,5
Condenser fans							
No. of fans / nominal power fan	kW	11/1,7	12/1,7	13/1,7	14/1,7	14/1,7	16/1,7
Fan speed	rpm	860	860	860	860	860	860
Diameter	mm	800	800	800	800	800	800
Total air flow	m³/s	58,1	63,3	68,6	73,9	75,2	86,0
Evaporator							
Evaporators / water volume	N°/l	1/254	1/254	1/246	1/246	1/246	1/244
Max operating pressure	bar	10,5	10,5	10,5	10,5	10,5	10,5
Water connection diameter	mm	168,3	168,3	168,3	168,3	168,3	168,3
Condenser coil							
Coil type	Lanced fins – internally spiral wound tubes						
Weight and dimensions							
Standard unit shipping weight	kg	5205	5419	5660	5790	5890	6333
Standard unit operating weight	kg	5410	5624	5910	6040	6140	6589
Unit length	mm	6210	6210	7110	7110	7110	8300
Unit width	mm	2230	2230	2230	2230	2230	2230
Unit height	mm	2520	2520	2520	2520	2520	2520

Unit size		273.2	279.3	296.3	312.3	327.3	344.3	358.3
Cooling capacity (1)	kW	974	1038	1094	1177	1222	1282	1354
Power input (1)	kW	267	312	325	343	365	378	396
COP		3,65	3,33	3,37	3,43	3,35	3,40	3,42
McQuay Screw compressors	N°	2	3	3	3	3	3	3
Refrigerant circuits	N°	2	3	3	3	3	3	3
Refrigerant charge HFC 134a	kg	156	165	174	184	194	204	214
Oil charge	l	28	42	42	42	42	42	42
Min % of capacity reduction	%	12,5	8,3	8,3	8,3	8,3	8,3	8,3
Condenser fans								
No. of fans / nominal power fan	kW	16/1,7	18/1,7	18/1,7	20/1,7	20/1,7	22/1,7	22/1,7
Fan speed	rpm	860	860	860	860	860	860	860
Diameter	mm	800	800	800	800	800	800	800
Total air flow	m³/s	86,0	100,6	95,0	105,6	105,6	116,1	118,3
Evaporator								
Evaporators / water volume	N°/l	1/392	1/415	1/415	1/402	1/402	1/402	1/402
Max operating pressure	bar	10,5	10,5	10,5	10,5	10,5	10,5	10,5
Water connection diameter	mm	219,1	219,1	219,1	219,1	219,1	219,1	219,1
Condenser coil								
Coil type	Lanced fins – internally spiral wound tubes							
Weight and dimensions								
Standard unit shipping weight	kg	6563	8420	8420	8950	8950	9390	9540
Standard unit operating weight	kg	6967	8830	8830	9360	9360	9800	9950
Unit length	mm	8300	9200	9200	10100	10100	11000	11000
Unit width	mm	2230	2230	2230	2230	2230	2230	2230
Unit height	mm	2520	2520	2520	2520	2520	2520	2520

Note: (1) Cooling capacity and power input are based on 12/7 °C entering/leaving water temp. and 35°C air ambient temp. Power input is for compressor only.

Physical data ALS F XE ST HFC 134a

Unit size		392.3	426.4	460.4	495.4	520.4
Cooling capacity (1)	kW	1430	1557	1710	1806	1920
Power input (1)	kW	386	476	510	536	555
COP		3,70	3,27	3,35	3,37	3,46
McQuay Screw compressors	N°	3	4	4	4	4
Refrigerant circuits	N°	3	4	4	4	4
Refrigerant charge HFC 134a	kg	224	252	272	272	282
Oil charge	l	42	56	56	56	56
Min % of capacity reduction	%	8,3	6,25	6,25	6,25	6,25
Condenser fans						
No. of fans / nominal power fan	kW	26/1,7	26/1,7	28/1,7	28/1,7	28/1,7
Fan speed	rpm	860	860	860	860	860
Diameter	mm	800	800	800	800	800
Total air flow	m ³ /s	140	137,2	147,8	150,5	150,5
Evaporator						
Evaporators / water volume	N°/l	1/533	2/254+246	2/246+246	2/246+246	2/392+392
Max operating pressure	bar	10,5	10,5	10,5	10,5	10,5
Water connection diameter	mm	219,1	168,3	168,3	168,3	219,1
Condenser coil						
Coil type	Lanced fins – internally spiral wound tubes					
Weight and dimensions						
Standard unit shipping weight	kg	10355	10960	11168	11368	12144
Standard unit operating weight	kg	10931	11420	11678	11878	13036
Unit length	mm	12800	12800	13670	13670	13670
Unit width	mm	2230	2230	2230	2230	2230
Unit height	mm	2520	2520	2520	2520	2520

Note: (1) Cooling capacity and power input are based on 12/7 °C entering/leaving water temp. and 35°C air ambient temp.
Power input is for compressor only.

Electrical data ALS F XE ST HFC 134a

Unit size		178.2	196.2	212.2	229.2	241.2		
Standard voltage (1)		400 V – 3f – 50 Hz						
Nominal unit current (2)	A	412	434	464	494	485		
Max compressor current (3)	A	442	468	511	554	547		
Fans current	A	44	48	52	56	56		
Max unit current (3)	A	486	516	563	610	603		
Max unit inrush current (4)	A	821	842	846	872	872		
Max unit current for wires sizing (5)	A	538	590	633	676	676		
Unit size		258.2	273.2	279.3	296.3	312.3	327.3	
Standard voltage (1)		400 V – 3f – 50 Hz						
Nominal unit current (2)	A	480	491	631	651	686	713	
Max compressor current (3)	A	532	545	670	696	742	788	
Fans current	A	64	64	72	72	80	80	
Max unit current (3)	A	596	609	742	768	822	868	
Max unit inrush current (4)	A	872	872	1012	1029	1037	1059	
Max unit current for wires sizing (5)	A	684	684	837	885	932	971	
Unit size		344.3	358.3	392.3	426.4	460.4	495.4	520.4
Standard voltage (1)		400 V – 3f – 50 Hz						
Nominal unit current (2)	A	748	722	723	928	988	970	998
Max compressor current (3)	A	834	810	791	1022	1108	1095	1130
Fans current	A	88	88	104	104	112	112	112
Max unit current (3)	A	922	898	895	1126	1220	1207	1242
Max unit inrush current (4)	A	1090	1090	1090	1291	1299	1299	1299
Max unit current for wires sizing (5)	A	1018	1018	1034	1266	1352	1352	1352

Notes: (1) Allowed voltage tolerance $\pm 10\%$. Voltage unbalance between phases must be within $\pm 3\%$.
(2) Nominal current are based on: 12/7 °C entering/leaving evaporator water temperature and 35°C ambient temp.
(3) Maximum current are based on: 14/9 °C entering/leaving evaporator water temperature and 48°C ambient temp.
(4) Inrush current of biggest compressor + 75 % of nominal absorbed current of the other compressor + fans current.
(5) Compressor FLA + fans current.

Physical data ALS F XE LN HFC 134a

Unit size		178.2	196.2	212.2	229.2	241.2	258.2
Cooling capacity (1)	kW	640	703	769	822	881	907
Power input (1)	kW	216	232	254	271	286	275
COP		2,97	3,02	3,03	3,04	3,08	3,30
McQuay Screw compressors	N°	2	2	2	2	2	2
Refrigerant circuits	N°	2	2	2	2	2	2
Refrigerant charge HFC 134a	kg	107	116	126	136	136	146
Oil charge	l	28	28	28	28	28	28
Min % of capacity reduction	%	12,5	12,5	12,5	12,5	12,5	12,5
Condenser fans							
No. of fans / nominal power fan	kW	11/1	12/1	13/1	14/1	14/1	16/1
Fan speed	rpm	680	680	680	680	680	680
Diameter	mm	800	800	800	800	800	800
Total air flow	m³/s	44,5	48,6	52,6	56,7	57,2	65,4
Evaporator							
Evaporators / water volume	N°/l	1/254	1/254	1/246	1/246	1/246	1/244
Max operating pressure	bar	10,5	10,5	10,5	10,5	10,5	10,5
Water connection diameter	mm	168,3	168,3	168,3	168,3	168,3	168,3
Condenser coil							
Coil type	Lanced fins – internally spiral wound tubes						
Weight and dimensions							
Standard unit shipping weight	kg	5205	5419	5660	5790	5890	6333
Standard unit operating weight	kg	5410	5624	5910	6040	6140	6589
Unit length	mm	6210	6210	7110	7110	7110	8300
Unit width	mm	2230	2230	2230	2230	2230	2230
Unit height	mm	2520	2520	2520	2520	2520	2520

Unit size		273.2	279.3	296.3	312.3	327.3	344.3	358.3
Cooling capacity (1)	kW	953	998	1053	1135	1177	1238	1323
Power input (1)	kW	283	332	347	362	389	402	421
COP		3,36	3,00	3,03	3,14	3,03	3,08	3,14
McQuay Screw compressors	N°	2	3	3	3	3	3	3
Refrigerant circuits	N°	2	3	3	3	3	3	3
Refrigerant charge HFC 134a	kg	156	165	174	184	194	204	204
Oil charge	l	28	42	42	42	42	42	42
Min % of capacity reduction	%	12,5	8,3	8,3	8,3	8,3	8,3	8,3
Condenser fans								
No. of fans / nominal power fan	kW	16/1	18/1	18/1	20/1	20/1	22/1	22/1
Fan speed	rpm	680	680	680	680	680	680	680
Diameter	mm	800	800	800	800	800	800	800
Total air flow	m³/s	65,4	77,1	72,8	80,9	80,9	89,0	89,9
Evaporator								
Evaporators / water volume	N°/l	1/392	1/415	1/415	1/402	1/402	1/402	1/402
Max operating pressure	bar	10,5	10,5	10,5	10,5	10,5	10,5	10,5
Water connection diameter	mm	219,1	219,1	219,1	219,1	219,1	219,1	219,1
Condenser coil								
Coil type	Lanced fins – internally spiral wound tubes							
Weight and dimensions								
Standard unit shipping weight	kg	6563	8420	8420	8950	8950	9390	9540
Standard unit operating weight	kg	6967	8830	8830	9360	9360	9800	9950
Unit length	mm	8300	9200	9200	10100	10100	11000	11000
Unit width	mm	2230	2230	2230	2230	2230	2230	2230
Unit height	mm	2520	2520	2520	2520	2520	2520	2520

Note: (1) Cooling capacity and power input are based on 12/7 °C entering/leaving water temp. and 35°C air ambient temp.
Power input is for compressor only.

Physical data ALS F XE LN HFC 134a

Unit size		392.3	426.4	460.4	495.4	520.4
Cooling capacity (1)	kW	1401	1512	1618	1762	1871
Power input (1)	kW	408	501	541	572	594
COP		3,44	3,02	2,99	3,08	3,15
McQuay Screw compressors	N°	3	4	4	4	4
Refrigerant circuits	N°	3	4	4	4	4
Refrigerant charge HFC 134a	kg	214	252	272	272	282
Oil charge	l	42	56	56	56	56
Min % of capacity reduction	%	8,3	6,25	6,25	6,25	6,25
Condenser fans						
No. of fans / nominal power fan	kW	26/1	26/1	28/1	28/1	28/1
Fan speed	rpm	680	680	680	680	680
Diameter	mm	800	800	800	800	800
Total air flow	m ³ /s	106,3	105,2	113,3	114,4	114,4
Evaporator						
Evaporators / water volume	N°/l	1/533	2/254+246	2/246+246	2/246+246	2/392+392
Max operating pressure	bar	10,5	10,5	10,5	10,5	10,5
Water connection diameter	mm	219,1	168,3	168,3	168,3	219,1
Condenser coil						
Coil type	Lanced fins – internally spiral wound tubes					
Weight and dimensions						
Standard unit shipping weight	kg	10355	10960	11168	11368	12144
Standard unit operating weight	kg	10931	11420	11678	11878	13036
Unit length	mm	12800	12800	13670	13670	13670
Unit width	mm	2230	2230	2230	2230	2230
Unit height	mm	2520	2520	2520	2520	2520

Note: (1) Cooling capacity and power input are based on 12/7 °C entering/leaving water temp. and 35°C air ambient temp.
Power input is for compressor only.

Electrical data ALS F XE LN HFC 134a

Unit size		178.2	196.2	212.2	229.2	241.2		
Standard voltage (1)		400 V – 3f – 50 Hz						
Nominal unit current (2)	A	403	428	459	490	484		
Max compressor current (3)	A	443	470	510	550	547		
Fans current	A	22	24	26	28	28		
Max unit current (3)	A	465	494	536	578	575		
Max unit inrush current (4)	A	796	815	817	843	843		
Max unit current for wires sizing (5)	A	516	566	607	648	648		
Unit size		258.2	273.2	279.3	296.3	312.3	327.3	
Standard voltage (1)		400 V – 3f – 50 Hz						
Nominal unit current (2)	A	472	484	614	633	669	705	
Max compressor current (3)	A	528	543	678	705	745	785	
Fans current	A	32	32	36	36	40	40	
Max unit current (3)	A	560	575	714	741	785	825	
Max unit inrush current (4)	A	843	843	971	988	992	1015	
Max unit current for wires sizing (5)	A	652	652	801	849	892	931	
Unit size		344.3	358.3	392.3	426.4	460.4	495.4	520.4
Standard voltage (1)		400 V – 3ph – 50 Hz						
Nominal unit current (2)	A	729	716	704	918	980	967	1000
Max compressor current (3)	A	825	807	783	1020	1100	1094	1116
Fans current	A	44	44	52	52	56	56	56
Max unit current (3)	A	869	851	835	1072	1156	1150	1172
Max unit inrush current (4)	A	1043	1043	1043	1234	1238	1238	1238
Max unit current for wires sizing (5)	A	974	974	982	1214	1296	1296	1296

Notes: (1) Allowed voltage tolerance ± 10%. Voltage unbalance between phases must be within ± 3%.
(2) Nominal current are based on: 12/7 °C entering/leaving evaporator water temperature and 35°C ambient temp.
(3) Maximum current are based on: 14/9 °C entering/leaving evaporator water temperature and 44°C ambient temp.
(4) Inrush current of biggest compressor + 75 % of nominal absorbed current of the other compressor + fans current.
(5) Compressor FLA + fans current.

Physical data ALS F XE XN HFC 134a

Unit size		178.2	196.2	212.2	229.2	241.2	258.2
Cooling capacity (1)	kW	640	703	769	822	881	907
Power input (1)	kW	216	232	254	271	286	275
COP		2,97	3,02	3,03	3,04	3,08	3,30
McQuay Screw compressors	N°	2	2	2	2	2	2
Refrigerant circuits	N°	2	2	2	2	2	2
Refrigerant charge HFC 134a	kg	107	116	126	136	136	146
Oil charge	l	28	28	28	28	28	28
Min % of capacity reduction	%	12,5	12,5	12,5	12,5	12,5	12,5
Condenser fans							
No. of fans / nominal power fan	kW	11/1	12/1	13/1	14/1	14/1	16/1
Fan speed	rpm	680	680	680	680	680	680
Diameter	mm	800	800	800	800	800	800
Total air flow	m³/s	44,5	48,6	52,6	56,7	57,2	65,4
Evaporator							
Evaporators / water volume	N°/l	1/254	1/254	1/246	1/246	1/246	1/244
Max operating pressure	bar	10,5	10,5	10,5	10,5	10,5	10,5
Water connection diameter	mm	168,3	168,3	168,3	168,3	168,3	168,3
Condenser coil							
Coil type	Lanced fins – internally spiral wound tubes						
Weight and dimensions							
Standard unit shipping weight	kg	5445	5659	5900	6030	6130	6573
Standard unit operating weight	kg	5650	5864	6150	6280	6380	6829
Unit length	mm	6210	6210	7110	7110	7110	8300
Unit width	mm	2230	2230	2230	2230	2230	2230
Unit height	mm	2520	2520	2520	2520	2520	2520

Unit size		273.2	279.3	296.3	312.3	327.3	344.3	358.3
Cooling capacity (1)	kW	953	998	1053	1135	1177	1238	1323
Power input (1)	kW	283	332	347	362	389	402	421
COP		3,36	3,00	3,03	3,14	3,03	3,08	3,14
McQuay Screw compressors	N°	2	3	3	3	3	3	3
Refrigerant circuits	N°	2	3	3	3	3	3	3
Refrigerant charge HFC 134a	kg	156	165	174	184	194	204	204
Oil charge	l	28	42	42	42	42	42	42
Min % of capacity reduction	%	12,5	8,3	8,3	8,3	8,3	8,3	8,3
Condenser fans								
No. of fans / nominal power fan	kW	16/1	18/1	18/1	20/1	20/1	22/1	22/1
Fan speed	rpm	680	680	680	680	680	680	680
Diameter	mm	800	800	800	800	800	800	800
Total air flow	m³/s	65,4	77,1	72,8	80,9	80,9	89,0	89,9
Evaporator								
Evaporators / water volume	N°/l	1/392	1/415	1/415	1/402	1/402	1/402	1/402
Max operating pressure	bar	10,5	10,5	10,5	10,5	10,5	10,5	10,5
Water connection diameter	mm	219,1	219,1	219,1	219,1	219,1	219,1	219,1
Condenser coil								
Coil type	Lanced fins – internally spiral wound tubes							
Weight and dimensions								
Standard unit shipping weight	kg	6803	8780	8780	9310	9310	9750	9900
Standard unit operating weight	kg	7207	9190	9190	9720	9720	10160	10310
Unit length	mm	8300	9200	9200	10100	10100	11000	11000
Unit width	mm	2230	2230	2230	2230	2230	2230	2230
Unit height	mm	2520	2520	2520	2520	2520	2520	2520

Note: (1) Cooling capacity and power input are based on 12/7 °C entering/leaving water temp. and 35°C air ambient temp.
Power input is for compressor only.

Physical data ALS F XE XN HFC 134a

Unit size		392.3	426.4	460.4	495.4	520.4
Cooling capacity (1)	kW	1401	1512	1618	1762	1871
Power input (1)	kW	408	501	541	572	594
COP		3,44	3,02	2,99	3,08	3,15
McQuay Screw compressors	N°	3	4	4	4	4
Refrigerant circuits	N°	3	4	4	4	4
Refrigerant charge HFC 134a	kg	214	252	272	272	282
Oil charge	l	42	56	56	56	56
Min % of capacity reduction	%	8,3	6,25	6,25	6,25	6,25
Condenser fans						
No. of fans / nominal power fan	kW	26/1	26/1	28/1	28/1	28/1
Fan speed	rpm	680	680	680	680	680
Diameter	mm	800	800	800	800	800
Total air flow	m ³ /s	106,3	105,2	113,3	114,4	114,4
Evaporator						
Evaporators / water volume	N°/l	1/533	2/254+246	2/246+246	2/246+246	2/392+392
Max operating pressure	bar	10,5	10,5	10,5	10,5	10,5
Water connection diameter	mm	219,1	168,3	168,3	168,3	219,1
Condenser coil						
Coil type	Lanced fins – internally spiral wound tubes					
Weight and dimensions						
Standard unit shipping weight	kg	10715	11440	11648	11848	12624
Standard unit operating weight	kg	11291	11900	12158	12358	13516
Unit length	mm	12800	12800	13670	13670	13670
Unit width	mm	2230	2230	2230	2230	2230
Unit height	mm	2520	2520	2520	2520	2520

Note: (1) Cooling capacity and power input are based on 12/7 °C entering/leaving water temp. and 35°C air ambient temp.
Power input is for compressor only.

Electrical data ALS F XE XN HFC 134a

Unit size		178.2	196.2	212.2	229.2	241.2		
Standard voltage (1)		400 V – 3f – 50 Hz						
Nominal unit current (2)	A	403	428	459	490	484		
Max compressor current (3)	A	443	470	510	550	547		
Fans current	A	22	24	26	28	28		
Max unit current (3)	A	465	494	536	578	575		
Max unit inrush current (4)	A	796	815	817	843	843		
Max unit current for wires sizing (5)	A	516	566	607	648	648		
Unit size		258.2	273.2	279.3	296.3	312.3	327.3	
Standard voltage (1)		400 V – 3f – 50 Hz						
Nominal unit current (2)	A	472	484	614	633	669	705	
Max compressor current (3)	A	528	543	678	705	745	785	
Fans current	A	32	32	36	36	40	40	
Max unit current (3)	A	560	575	714	741	785	825	
Max unit inrush current (4)	A	843	843	971	988	992	1015	
Max unit current for wires sizing (5)	A	652	652	801	849	892	931	
Unit size		344.3	358.3	392.3	426.4	460.4	495.4	520.4
Standard voltage (1)		400 V – 3ph – 50 Hz						
Nominal unit current (2)	A	729	716	704	918	980	967	1000
Max compressor current (3)	A	825	807	783	1020	1100	1094	1116
Fans current	A	44	44	52	52	56	56	56
Max unit current (3)	A	869	851	835	1072	1156	1150	1172
Max unit inrush current (4)	A	1043	1043	1043	1234	1238	1238	1238
Max unit current for wires sizing (5)	A	974	974	982	1214	1296	1296	1296

Notes: (1) Allowed voltage tolerance $\pm 10\%$. Voltage unbalance between phases must be within $\pm 3\%$.
(2) Nominal current are based on: 12/7 °C entering/leaving evaporator water temperature and 35°C ambient temp.
(3) Maximum current are based on: 14/9 °C entering/leaving evaporator water temperature and 44°C ambient temp.
(4) Inrush current of biggest compressor + 75 % of nominal absorbed current of the other compressor + fans current.
(5) Compressor FLA + fans current.

Physical data ALS F XE XXN HFC 134a

Unit size		163.2	178.2	196.2	240.3	260.3	279.3	296.3
Cooling capacity (1)	kW	569	631	668	840	914	953	1013
Power input (1)	kW	216	237	264	323	336	361	361
COP		2,64	2,66	2,53	2,61	2,72	2,64	2,80
McQuay Screw compressors	No.	2	2	2	3	3	3	3
Refrigerant circuits	No.	2	2	2	3	3	3	3
Refrigerant charge HFC 134a	kg	106	115	124	159	168	177	186
Oil charge	l	28	28	28	42	42	42	42
Min % of capacity reduction	%	12,5	12,5	12,5	8,3	8,3	8,3	8,3
Condenser fans								
No. of fans / nominal power fan	kW	12/0,3	13/0,3	14/0,3	18/0,3	20/0,3	20/0,3	22/0,3
Fan speed	rpm	500	500	500	500	500	500	500
Diameter	mm	800	800	800	800	800	800	800
Total air flow	m³/s	30,8	33,3	35,9	46,1	51,3	51,3	56,4
Evaporator								
Evaporators / water volume	No./l	1/254	1/246	1/246	1/415	1/402	1/402	1/402
Max operating pressure	bar	10,5	10,5	10,5	10,5	10,5	10,5	10,5
Water connection diameter	mm	168,3	168,3	168,3	219,1	219,1	219,1	219,1
Condenser coil								
Coil type	Lanced fins – internally spiral wound tubes							
Weight and dimensions								
Standard unit shipping weight	kg	5659	5900	6030	8725	9310	9310	9750
Standard unit operating weight	kg	5864	6150	6280	9150	9720	9720	10160
Unit length	mm	6210	7110	7110	9200	10100	10100	11000
Unit width	mm	2230	2230	2230	2230	2230	2230	2230
Unit height	mm	2520	2520	2520	2520	2520	2520	2520

Note: (1) Cooling capacity and power input are based on 12/7 °C entering/leaving water temp. and 35°C air ambient temp. Power input is for compressor only.

Electrical data ALS F XE XXN HFC 134a

Unit size		163.2	178.2	196.2	240.3	260.3	279.3	296.3
Standard voltage (1)		400 V – 3ph – 50 Hz						
Nominal unit current (2)	A	392	420	444	585	604	636	652
Max compressor current (3)	A	416	447	474	618	640	678	705
Fans current	A	12	13	14	18	20	20	22
Max unit current (3)	A	428	460	488	636	660	698	727
Max unit inrush current (4)	A	790	791	812	943	945	965	986
Max unit current for wires sizing (5)	A	458	507	556	687	737	785	835

Notes: (1) Allowed voltage tolerance $\pm 10\%$. Voltage unbalance between phases must be within $\pm 3\%$.
(2) Nominal current are based on: 12/7 °C entering/leaving evaporator water temperature and 35°C ambient temp.
(3) Maximum current are based on: 14/9 °C entering/leaving evaporator water temperature and 40°C ambient temp.
(4) Inrush current of biggest compressor + 75 % of nominal absorbed current of the other compressor + fans current.
(5) Compressor FLA + fans current.

Sound pressure level ALS F SE, XE ST

Unit size	Sound pressure level at 1 m from the unit in free field (ref. 2×10^{-5})								
	63 Hz	125 Hz	250 Hz	500 Hz	1000 Hz	2000 Hz	4000 Hz	8000 Hz	dBA
178.2	77,0	77,5	79,0	75,0	74,5	72,0	63,0	54,5	79,0
196.2	77,0	77,5	79,0	75,0	74,5	72,0	63,0	54,5	79,0
212.2	77,5	78,0	79,5	75,5	75,0	72,5	63,5	55,0	79,5
229.2	77,5	78,0	79,5	75,5	75,0	72,5	63,5	55,0	79,5
241.2	78,0	78,5	80,0	76,0	75,5	73,0	64,0	55,5	80,0
258.2	77,5	78,0	79,5	75,5	75,0	72,5	63,5	55,0	79,5
273.2	77,5	78,0	79,5	75,5	75,0	72,5	63,5	55,0	79,5
279.3	77,0	77,5	79,0	75,0	74,5	72,0	63,0	54,5	79,0
296.3	77,0	77,5	79,0	75,0	74,5	72,0	63,0	54,5	79,0
312.3	77,5	78,0	79,5	75,5	75,0	72,5	63,5	55,0	79,5
327.3	77,5	78,0	79,5	75,5	75,0	72,5	63,5	55,0	79,5
344.3	77,5	78,0	79,5	75,5	75,0	72,5	63,5	55,0	79,5
358.3	78,0	78,5	80,0	76,0	75,5	73,0	64,0	55,5	80,0
392.3	78,0	78,5	80,0	76,0	75,5	73,0	64,0	55,5	80,0
426.4	77,5	78,0	79,5	75,5	75,0	72,5	63,5	55,0	79,5
460.4	77,5	78,0	79,5	75,5	75,0	72,5	63,5	55,0	79,5
495.4	78,0	78,5	80,0	76,0	75,5	73,0	64,0	55,5	80,0
520.4	78,0	78,5	80,0	76,0	75,5	73,0	64,0	55,5	80,0

Notes: Average sound pressure level rated in accordance to ISO 3744, at free field semispherical conditions.
Sound pressure levels are referred to units without water pump and/or high lift fans.

Sound pressure level ALS F SE, XE LN

Unit size	Sound pressure level at 1 m from the unit in free field (ref. 2×10^{-5})								
	63 Hz	125 Hz	250 Hz	500 Hz	1000 Hz	2000 Hz	4000 Hz	8000 Hz	dBA
178.2	74,0	70,5	73,5	70,0	69,0	66,5	58,0	50,5	73,5
196.2	74,0	71,0	74,0	70,5	69,0	67,0	58,0	50,5	74,0
212.2	74,5	71,5	74,5	71,0	69,5	67,5	58,5	51,0	74,5
229.2	75,0	72,0	75,0	71,5	70,0	68,0	59,0	52,0	75,0
241.2	76,0	73,0	76,5	72,5	71,0	69,0	60,0	52,5	76,0
258.2	76,0	73,0	76,5	72,5	71,0	69,0	60,0	52,5	76,0
273.2	76,0	73,0	76,5	72,5	71,0	69,0	60,0	52,5	76,0
279.3	74,5	71,5	74,0	71,0	69,5	67,5	58,5	51,0	74,5
296.3	74,5	71,5	74,0	71,0	69,5	67,5	58,5	51,0	74,5
312.3	75,0	72,0	75,0	71,5	70,0	68,0	59,0	51,5	75,0
327.3	75,5	72,0	75,0	71,5	70,5	68,0	59,5	52,0	75,0
344.3	76,0	72,5	75,5	72,0	71,0	68,5	60,0	52,5	75,5
358.3	76,5	73,5	77,0	73,0	71,5	69,5	60,5	53,0	76,5
392.3	76,5	73,5	77,0	73,0	71,5	69,5	60,5	53,0	76,5
426.4	75,5	72,5	75,5	72,0	70,5	68,5	59,5	52,0	75,5
460.4	76,0	73,0	76,5	72,5	71,0	69,0	60,0	52,5	76,0
495.4	76,5	73,5	77,0	73,0	71,5	69,5	60,5	53,0	76,5
520.4	76,5	73,5	77,0	73,0	71,5	69,5	60,5	53,0	76,5

Notes: Average sound pressure level rated in accordance to ISO 3744, at free field semispherical conditions.
Sound pressure levels are referred to units without water pump and/or high lift fans.

Sound pressure level ALS F SE, XE XN

Unit size	Sound pressure level at 1 m from the unit in free field (ref. 2×10^{-5})								
	63 Hz	125 Hz	250 Hz	500 Hz	1000 Hz	2000 Hz	4000 Hz	8000 Hz	dBA
178.2	75,0	72,5	72,0	69,5	66,5	61,5	54,5	46,5	71,5
196.2	75,0	73,0	72,0	69,5	66,5	62,0	54,5	46,5	71,5
212.2	75,0	73,0	72,5	69,5	66,5	62,0	54,5	46,5	71,5
229.2	75,0	73,0	72,5	70,0	66,5	62,0	55,0	47,0	71,5
241.2	76,0	74,0	73,0	70,5	67,5	63,0	55,5	47,5	72,5
258.2	76,0	74,0	73,0	70,5	67,5	63,0	55,5	47,5	72,5
273.2	76,0	74,0	73,0	70,5	67,5	63,0	55,5	47,5	72,5
279.3	75,0	73,0	72,5	69,5	66,5	62,0	54,5	46,5	71,5
296.3	75,0	73,0	72,5	69,5	66,5	62,0	54,5	46,5	71,5
312.3	75,0	73,0	72,5	70,0	66,5	62,0	55,0	47,0	71,5
327.3	75,0	73,0	72,5	70,0	66,5	62,0	55,0	47,0	71,5
344.3	75,5	73,0	72,5	70,0	67,0	62,0	55,0	47,0	72,0
358.3	76,5	74,5	73,5	71,0	68,0	63,5	56,0	48,0	73,0
392.3	76,5	74,5	73,5	71,0	68,0	63,5	56,0	48,0	73,0
426.4	75,5	73,0	72,5	70,0	67,0	62,0	55,0	47,0	72,0
460.4	75,5	73,5	72,5	70,0	67,0	62,5	55,0	47,0	72,0
495.4	76,5	74,5	73,5	71,0	68,0	63,5	56,0	48,0	73,0
520.4	76,5	74,5	73,5	71,0	68,0	63,5	56,0	48,0	73,0

Notes: Average sound pressure level rated in accordance to ISO 3744, at free field semispherical conditions.
Sound pressure levels are referred to units without water pump and/or high lift fans.

Sound pressure level ALS F SE, XE XXN

Unit size	Sound pressure level at 1 m from the unit in free field (ref. 2×10^{-5})								
	63 Hz	125 Hz	250 Hz	500 Hz	1000 Hz	2000 Hz	4000 Hz	8000 Hz	dBA
163.2	61,5	63,5	66,0	64,5	57,5	54,0	50,0	42,5	65,0
178.2	61,5	64,0	66,0	64,5	58,0	54,5	50,0	43,0	65,0
196.2	62,0	64,0	66,0	65,0	58,0	54,5	50,5	43,0	65,0
212.2	62,5	64,5	66,5	65,5	58,5	55,0	50,5	43,5	65,5
229.2	62,5	65,0	67,0	65,5	59,0	55,5	51,0	44,0	66,0
240.3	62,0	64,0	66,5	65,0	58,0	54,5	50,5	43,0	65,5
260.3	62,0	64,0	66,5	65,0	58,0	54,5	50,5	43,0	65,5
279.3	62,0	64,5	66,5	65,0	58,5	55,0	50,5	43,5	65,5
296.3	62,0	64,5	66,5	65,0	58,5	55,0	50,5	43,5	65,5
312.3	62,5	64,5	67,0	65,5	59,0	55,5	51,0	44,0	66,0
327.3	63,0	65,0	67,0	66,0	59,0	55,5	51,0	44,0	66,0
344.3	63,0	65,5	67,5	66,0	59,5	56,0	51,5	44,5	66,5

Notes: Average sound pressure level rated in accordance to ISO 3744, at free field semispherical conditions.
The data for SE XXN units are referred to 32 °C air ambient temperature.
Sound pressure levels are referred to units without water pump and/or high lift fans.

**Sound pressure level correction factors for different distances
ALS F SE ST, LN, XN**

Unit size	Distance (m)					
	1	5	10	15	20	25
178.2	0	7,3	11,9	14,9	17,1	18,9
196.2	0	7,3	11,9	14,9	17,1	18,9
212.2	0	7,1	11,7	14,6	16,8	18,6
229.2	0	7,1	11,7	14,6	16,8	18,6
241.2	0	7,1	11,7	14,6	16,8	18,6
279.3	0	6,8	11,4	14,2	16,4	18,2
296.3	0	6,7	11,1	13,9	16,1	17,9
312.3	0	6,7	11,1	13,9	16,1	17,9
327.3	0	6,5	10,9	13,7	15,9	17,7
344.3	0	6,5	10,9	13,7	15,9	17,7
358.3	0	6,5	10,9	13,7	15,9	17,7
426.4	0	6,3	10,6	13,2	15,4	17,2
460.4	0	6,2	10,5	13,0	15,2	17,0
495.4	0	6,2	10,5	13,0	15,2	17,0

**Sound pressure level correction factors for different distances
ALS F SE XXN - ALS F "E" XE ST, LN, XN, XXN**

Unit size	Distance (m)					
	1	5	10	15	20	25
163.2	0	7,3	11,9	14,9	17,1	18,9
178.2	0	7,1	11,7	14,6	16,8	18,6
196.2	0	7,1	11,7	14,6	16,8	18,6
212.2	0	6,9	11,5	14,3	16,5	18,3
229.2	0	6,9	11,5	14,3	16,5	18,3
241.2	0	6,9	11,5	14,3	16,5	18,3
258.2	0	6,7	11,1	13,9	16,1	17,9
273.2	0	6,7	11,1	13,9	16,1	17,9
279.3	0	6,5	10,9	13,7	15,9	17,7
296.3	0	6,5	10,9	13,7	15,9	17,7
312.3	0	6,4	10,8	13,5	15,7	17,5
327.3	0	6,4	10,8	13,5	15,7	17,5
344.3	0	6,3	10,6	13,2	15,4	17,2
358.3	0	6,3	10,6	13,2	15,4	17,2
392.3	0	6,1	10,4	12,9	15,1	16,9
426.4	0	6,1	10,4	12,9	15,1	16,9
460.4	0	6,0	10,3	12,8	15,0	16,8
495.4	0	6,0	10,3	12,8	15,0	16,8
520.4	0	6,0	10,3	12,8	15,0	16,8

Standard ratings ALS F SE 178.2 ÷ 279.3 ST

Unit size	Evaporator leaving water temp. (°C)	AIR AMBIENT TEMPERATURE - °C									
		25		30		35		40		44	
		Cooling capacity Kw	Power input kW	Cooling capacity kW	Power input kW	Cooling capacity kW	Power input kW	Cooling capacity kW	Power input kW	Cooling capacity kW	Power input kW
178.2	4	643,0	177,5	615,5	191,4	586,9	207,4	556,4	225,3	532,1	242,3
	5	661,9	181,5	633,4	195,4	603,9	210,4	574,3	228,3	549,0	245,3
	6	680,9	184,5	652,4	198,4	621,9	214,4	591,2	232,3	564,8	248,3
	7	699,9	188,5	670,4	202,4	639,7	217,4	608,0	235,3	581,7	251,3
	8	718,9	192,4	689,4	206,4	657,7	221,4	626,0	239,3	599,6	255,3
	9	739,0	196,4	708,3	210,4	676,7	225,3	644,0	242,3	616,6	258,2
196.2	4	703,2	189,8	673,0	204,8	640,6	221,7	608,3	241,7	581,2	259,7
	5	724,1	193,8	692,8	208,8	660,5	224,8	627,0	244,8	600,0	262,7
	6	743,9	196,8	712,6	211,8	680,3	228,7	645,9	248,7	617,7	265,7
	7	765,8	200,8	733,5	215,7	700,1	232,7	665,6	251,6	636,5	269,7
	8	786,7	204,8	753,4	219,7	719,9	236,7	684,5	255,7	655,2	272,7
	9	808,7	208,8	775,2	223,8	739,8	240,8	704,3	259,7	675,1	276,7
212.2	4	765,2	203,6	731,7	221,5	697,2	241,4	661,7	264,5	632,5	286,4
	5	787,2	207,6	753,7	224,6	718,1	244,5	682,6	267,5	652,3	289,4
	6	810,2	211,6	775,7	228,5	740,1	248,5	702,5	271,4	672,2	292,4
	7	833,1	214,7	797,6	232,5	761,0	252,5	723,4	275,5	692,1	295,4
	8	856,2	218,5	820,6	236,6	783,0	256,5	745,3	278,4	713,0	299,3
	9	880,2	222,5	843,6	240,5	804,9	260,5	766,2	282,4	733,9	303,4
229.2	4	821,3	215,5	785,9	235,1	748,4	257,9	710,9	284,5	678,5	309,2
	5	845,3	219,2	808,9	239,0	771,3	261,9	732,8	287,5	700,5	312,2
	6	869,3	222,3	832,9	243,0	794,3	265,8	754,6	291,5	721,4	315,2
	7	894,3	226,2	856,9	247,0	817,2	269,7	776,6	295,4	743,2	319,1
	8	919,4	230,2	880,8	250,9	841,2	273,7	799,5	298,4	765,1	322,1
	9	944,4	234,2	904,7	254,9	864,1	277,7	822,5	302,3	788,0	326,1
241.2	4	866,6	225,1	842,0	246,1	815,7	268,1	787,5	291,3	763,2	310,6
	5	890,9	229,0	865,7	250,3	839,0	272,6	810,3	296,1	785,6	315,6
	6	915,6	232,9	889,8	254,4	862,4	277,1	833,2	301,0	808,3	320,9
	7	941,3	237,1	914,2	258,8	886,2	281,7	856,4	305,8	831,1	326,0
	8	967,4	241,3	939,5	263,3	910,2	286,4	879,8	310,9	808,9	316,3
	9	993,8	245,6	965,4	267,9	935,1	291,3	903,5	315,9	831,0	321,4
(*)											
279.3	4	993,2	272,9	949,2	293,9	903,2	317,8	857,2	345,7	817,4	371,6
	5	1022,5	277,9	977,5	298,8	931,5	322,7	883,3	350,5	843,6	375,5
	6	1052,9	283,9	1006,9	304,8	959,7	328,7	910,5	355,6	869,7	380,4
	7	1083,3	289,9	1036,1	310,7	988,0	333,7	937,8	360,5	896,9	385,5
	8	1113,5	294,9	1065,4	316,8	1016,2	339,7	966,0	366,6	924,1	390,4
	9	1144,9	300,7	1095,8	322,7	1045,6	345,7	994,3	372,5	951,4	396,5

Notes: Power input is for compressor only; cooling cap. and power input are referred to evap. fouling factor=0,0176m² °C/kW.

(*) For cooling capacity in the middle of 241.2 and 279.3 range, select XE unit.

Standard ratings ALS F SE 296.3 ÷ 495.4 ST

Unit size	Evaporator leaving water temp. (°C)	AIR AMBIENT TEMPERATURE - °C									
		25		30		35		40		44	
		Cooling capacity kW	Power input kW	Cooling capacity kW	Power input kW	Cooling capacity kW	Power input kW	Cooling capacity kW	Power input kW	Cooling capacity kW	Power input kW
296.3	4	1060,8	281,8	1015,6	303,8	966,5	328,6	917,3	363,3	859,9	391,5
	5	1092,6	286,6	1045,5	308,4	996,3	333,3	946,1	368,0	887,3	396,2
	6	1124,5	292,1	1076,4	314,1	1026,3	338,8	975,0	373,6	914,8	400,1
	7	1156,8	297,1	1107,7	319,9	1056,5	344,8	1004,3	379,8	943,4	405,1
	8	1190,3	303,1	1140,1	326,0	1087,9	350,8	1034,6	384,8	971,1	411,1
	9	1223,7	309,1	1172,6	332,0	1119,2	356,8	1064,9	390,9	1000,9	416,2
312.3	4	1114,6	298,6	1066,5	323,7	1015,2	351,6	962,9	384,7	919,1	415,6
	5	1148,0	303,7	1097,8	328,6	1046,6	356,7	993,3	389,6	948,3	420,6
	6	1181,5	309,7	1130,2	334,7	1077,9	362,6	1023,6	395,5	977,6	424,7
	7	1216,0	315,7	1163,7	340,7	1109,3	368,6	1053,9	400,6	1007,9	429,5
	8	1249,5	321,7	1197,2	346,7	1141,8	374,7	1085,2	406,6	1038,2	435,5
	9	1285,0	327,7	1230,6	353,7	1174,2	380,7	1116,6	412,6	1069,6	441,5
327.3	4	1170,7	309,5	1119,6	337,3	1066,4	368,1	1011,1	404,8	965,2	438,5
	5	1205,2	315,5	1153,0	343,3	1098,7	374,0	1042,4	409,7	996,5	443,5
	6	1240,6	321,5	1187,3	349,2	1132,1	380,0	1074,7	415,7	1026,7	448,4
	7	1276,1	327,4	1221,8	355,2	1165,5	385,9	1107,0	420,7	1059,1	453,4
	8	1312,5	333,3	1257,3	361,2	1198,9	391,9	1139,4	426,6	1090,4	458,3
	9	1349,1	339,3	1292,8	367,0	1233,3	397,9	1172,8	432,6	1122,7	464,4
344.3	4	1231,4	322,8	1177,1	352,5	1121,7	387,2	1064,1	426,8	1016,1	464,4
	5	1268,0	328,7	1212,6	358,4	1156,2	392,1	1096,6	431,7	1047,5	468,4
	6	1304,6	334,8	1249,2	364,4	1190,7	398,1	1130,0	437,7	1080,9	473,4
	7	1342,2	339,6	1284,8	370,4	1226,2	404,0	1164,5	442,6	1113,3	478,3
	8	1379,9	345,6	1321,3	376,3	1261,7	410,0	1199,0	448,6	1146,7	483,2
	9	1418,5	352,5	1359,0	383,2	1297,2	417,0	1233,5	454,5	1180,2	489,2
358.3	4	1292,9	336,5	1256,3	367,9	1217,4	401,0	1175,7	435,8	1139,7	464,7
	5	1329,3	342,3	1291,7	374,1	1251,8	407,6	1209,3	442,9	1173,1	472,3
	6	1367,0	348,4	1327,5	380,4	1286,8	414,4	1243,4	450,1	1206,5	479,9
	7	1405,4	354,5	1364,9	387,0	1322,3	421,3	1277,9	457,4	1240,3	487,6
	8	1444,3	360,8	1402,8	393,7	1358,9	428,4	1312,8	464,8	1207,2	473,1
	9	1483,8	367,2	1441,3	400,6	1396,3	435,6	1348,5	472,5	1240,0	480,7
(*)											
426.4	4	1527,7	405,6	1460,8	440,3	1392,9	480,1	1321,9	526,8	1263,4	569,6
	5	1571,6	412,5	1504,7	448,4	1434,7	487,1	1362,6	532,7	1302,0	575,5
	6	1617,5	420,4	1548,6	455,3	1477,5	495,0	1403,4	539,7	1342,8	581,5
	7	1662,5	427,5	1592,5	463,2	1520,4	502,9	1445,2	547,8	1382,5	588,4
	8	1709,5	435,4	1637,4	471,2	1564,3	511,0	1487,0	554,7	1424,3	595,3
	9	1756,5	443,3	1683,4	479,1	1608,2	518,8	1529,8	562,6	1465,0	603,4
460.4	4	1649,4	430,9	1577,2	470,5	1503,9	515,9	1427,5	569,3	1363,7	618,7
	5	1697,6	437,8	1624,3	478,4	1548,9	523,8	1471,5	576,2	1406,6	624,5
	6	1745,7	445,8	1671,4	486,2	1595,0	530,7	1515,4	583,1	1449,6	630,6
	7	1794,9	453,6	1719,5	493,2	1641,0	538,7	1560,4	590,1	1492,4	637,5
	8	1845,1	460,6	1768,7	502,1	1688,1	546,6	1605,4	598,0	1537,5	644,4
	9	1896,4	468,5	1817,9	510,0	1736,3	554,5	1651,5	605,8	1581,4	652,3
495.4	4	1733,1	450,2	1684,0	492,2	1631,6	536,3	1574,9	582,6	1526,5	621,2
	5	1781,7	457,9	1731,5	500,4	1677,8	545,2	1620,6	592,2	1571,2	631,4
	6	1831,2	465,9	1779,5	509,0	1724,8	554,3	1666,4	601,9	1616,6	641,7
	7	1882,7	474,1	1828,4	517,5	1772,4	563,5	1712,7	611,8	1662,0	652,0
	8	1934,8	482,6	1879,1	526,5	1820,6	572,9	1759,6	621,8	1617,9	632,7
	9	1987,8	491,2	1930,6	535,7	1870,2	582,6	1807,2	632,0	1661,8	642,9

Notes: Power input is for compressor only; cooling cap. and power input are referred to evap. fouling factor=0,0176m² °C/kW.
 (*) For cooling capacity in the middle of 358.3 and 426.4 range, select XE unit.

Standard ratings ALS F SE 178.2 ÷ 279.3 LN, XN

Unit size	Evaporator leaving water temp. (°C)	AIR AMBIENT TEMPERATURE - °C							
		25		30		35		40	
		Cooling capacity (kW)	Power input (kW)	Cooling capacity (kW)	Power input (kW)	Cooling capacity (kW)	Power input (kW)	Cooling capacity (kW)	Power input (kW)
178.2	4	613,7	190,7	586,5	205,8	557,3	222,9	526,9	243,9
	5	631,5	193,7	603,3	208,8	572,9	226,8	542,7	246,9
	6	649,3	197,7	620,0	212,8	589,7	230,9	558,3	251,0
	7	667,0	202,7	637,8	216,8	606,4	234,9	574,0	255,0
	8	684,9	206,8	654,5	221,9	623,2	238,9	590,8	258,0
	9	703,7	210,8	672,3	225,9	639,9	242,9	607,4	262,0
196.2	4	678,2	202,9	646,9	219,0	615,6	238,1	582,2	261,2
	5	698,1	206,9	665,6	223,0	633,3	242,2	598,9	264,3
	6	716,8	211,0	684,5	228,1	651,1	246,2	616,6	268,2
	7	736,7	216,0	704,3	232,2	669,9	250,2	635,5	272,3
	8	756,5	220,0	723,1	236,1	688,6	255,2	653,2	276,3
	9	777,4	224,0	742,9	241,1	707,4	259,2	670,9	280,3
212.2	4	738,0	215,9	704,5	234,7	670,0	257,4	633,5	283,2
	5	758,9	219,8	725,5	238,6	688,9	261,4	652,3	287,2
	6	780,9	224,8	745,3	243,6	709,8	265,4	671,2	290,2
	7	801,8	228,8	766,2	247,6	729,6	269,3	690,9	294,2
	8	823,7	232,8	787,2	252,6	749,5	273,3	710,8	298,1
	9	845,7	237,6	809,1	256,4	770,4	278,3	730,7	303,0
229.2	4	793,2	230,3	756,8	251,9	719,2	277,5	679,7	307,0
	5	815,2	234,2	778,6	255,9	740,1	281,5	700,5	311,0
	6	838,0	238,1	800,5	259,8	761,9	285,4	721,4	314,9
	7	862,0	243,1	823,5	264,7	783,9	289,4	742,2	318,9
	8	885,0	247,1	846,4	268,6	805,8	294,3	763,0	322,8
	9	909,0	251,9	869,3	273,6	827,6	298,1	784,9	326,7
241.2	4	846,1	242,4	820,2	264,2	792,2	287,1	762,1	311,1
	5	869,4	247,0	842,8	269,1	814,6	292,4	783,8	316,6
	6	902,2	253,5	874,0	275,9	837,0	297,7	805,9	322,3
	7	926,8	258,3	898,2	281,1	867,6	305,0	784,5	313,4
	8	951,7	263,4	922,5	286,4	891,2	310,7	758,3	306,3
	9	976,8	268,5	947,0	292,0	915,2	316,5	778,7	311,9
(*)									
279.3	4	956,6	292,4	912,7	315,5	865,5	342,7	818,5	374,8
	5	984,8	298,4	938,8	321,6	891,7	347,7	842,6	379,8
	6	1012,0	304,4	966,0	327,5	917,8	353,6	868,7	384,8
	7	1041,4	311,5	993,2	333,5	945,1	359,7	893,8	390,8
	8	1069,6	317,5	1021,5	340,6	971,2	366,8	920,0	397,0
	9	1098,9	324,5	1049,7	347,7	998,4	372,8	946,1	402,9

Notes: Power input is for compressor only; cooling cap. and power input are referred to evap. fouling factor=0,0176m² °C/kW.

(*) For cooling capacity in the middle of 241.2 and 279.3 range, select XE unit.

Standard ratings ALS F SE 296.3 ÷ 495.4 LN, XN

Unit size	Evaporator leaving water temp. (°C)	AIR AMBIENT TEMPERATURE - °C							
		25		30		35		40	
		Cooling capacity (kW)	Power input (kW)	Cooling capacity (kW)	Power input (kW)	Cooling capacity (kW)	Power input (kW)	Cooling capacity (kW)	Power input (kW)
296.3	4	1026,3	300,2	979,2	324,4	930,1	352,6	880,0	392,0
	5	1055,5	306,4	1008,5	330,4	958,3	357,6	907,1	398,1
	6	1085,8	312,4	1037,7	336,5	986,5	363,6	934,2	403,3
	7	1117,2	319,4	1067,0	343,4	1015,8	370,6	961,4	409,4
	8	1147,4	325,4	1097,3	349,5	1044,0	376,7	989,6	415,5
	9	1178,8	332,5	1127,6	356,6	1073,2	383,7	1017,8	421,6
312.3	4	1075,9	318,1	1025,7	345,0	974,5	376,9	920,1	413,8
	5	1106,2	324,1	1056,0	351,0	1002,7	381,9	948,3	419,8
	6	1137,5	330,0	1086,4	357,0	1033,0	388,9	976,5	424,8
	7	1170,0	337,0	1116,6	363,9	1062,3	394,8	1005,9	430,6
	8	1202,4	344,0	1148,0	370,9	1092,7	401,8	1035,1	436,7
	9	1234,8	350,0	1179,3	377,9	1122,9	407,8	1064,3	443,7
327.3	4	1130,0	330,8	1077,8	360,5	1023,5	396,1	967,2	436,7
	5	1162,3	337,7	1109,1	367,4	1053,8	402,0	996,5	442,6
	6	1195,7	343,6	1141,4	373,3	1085,1	407,9	1026,7	447,6
	7	1229,1	350,5	1173,9	380,3	1116,4	414,0	1057,0	453,5
	8	1262,5	357,5	1206,2	387,2	1147,7	420,9	1087,3	459,5
	9	1296,9	363,5	1239,5	394,2	1180,0	427,7	1117,4	466,5
344.3	4	1188,5	343,2	1134,3	375,5	1076,7	413,8	1017,1	457,9
	5	1223,1	349,1	1166,6	381,4	1109,1	419,7	1048,5	463,8
	6	1257,6	355,9	1201,1	388,3	1141,6	425,6	1079,9	468,8
	7	1293,1	362,8	1234,5	395,1	1174,9	431,5	1111,2	474,7
	8	1328,6	368,7	1269,0	402,0	1207,4	438,3	1143,6	481,5
	9	1365,2	375,5	1304,6	408,9	1241,8	445,2	1176,1	487,4
358.3	4	1262,6	362,3	1224,1	395,0	1182,9	429,4	1138,2	465,3
	5	1297,4	369,1	1257,9	402,3	1215,9	437,2	1170,6	473,7
	6	1347,9	379,1	1306,1	412,6	1261,6	447,9	1203,3	482,1
	7	1384,4	386,4	1342,0	420,5	1296,4	456,3	1182,5	471,6
	8	1421,4	393,8	1378,0	428,4	1331,8	464,8	1133,1	458,2
	9	1458,8	401,4	1414,4	436,5	1367,4	473,5	1163,6	466,7
(*)									
426.4	4	1474,4	438,4	1406,5	476,7	1337,5	521,8	1264,4	575,2
	5	1516,2	446,5	1447,3	485,7	1376,2	530,0	1302,0	582,2
	6	1559,1	455,6	1489,1	493,8	1415,9	538,1	1340,7	590,3
	7	1601,9	463,6	1530,9	502,8	1456,6	546,0	1379,3	597,4
	8	1644,7	472,7	1572,7	511,8	1497,4	555,1	1419,0	605,3
	9	1689,6	481,6	1615,5	520,9	1538,2	564,1	1458,7	614,5
460.4	4	1571,1	455,8	1499,9	498,6	1425,5	548,3	1348,0	608,7
	5	1616,7	463,6	1543,3	506,4	1467,9	556,1	1388,3	615,4
	6	1662,1	472,3	1587,7	515,1	1510,2	564,8	1429,7	622,2
	7	1707,5	481,1	1632,1	524,0	1552,6	572,6	1470,9	630,1
	8	1754,0	489,8	1676,5	532,7	1596,0	581,4	1512,3	638,0
	9	1801,5	498,6	1721,9	541,4	1640,3	590,1	1554,7	646,6
495.4	4	1692,2	484,7	1640,4	528,5	1584,3	574,2	1524,3	622,1
	5	1738,8	493,9	1685,8	538,2	1629,2	584,7	1567,8	633,3
	6	1804,2	506,8	1748,1	551,7	1673,9	595,4	1611,8	644,8
	7	1853,8	516,7	1796,3	562,2	1735,2	610,0	1568,9	626,7
	8	1903,4	526,7	1845,0	573,0	1782,6	621,5	1516,6	612,5
	9	1953,5	536,9	1894,0	583,8	1830,4	633,0	1557,4	623,9

Notes: Power input is for compressor only; cooling cap. and power input are referred to evap. fouling factor=0,0176m² °C/kW.
 (*) For cooling capacity in the middle of 358.3 and 426.4 range, select XE unit.

Standard ratings ALS F SE 163.2 ÷ 240.3 XXN

Unit size	Evaporator leaving water temp. (°C)	AIR AMBIENT TEMPERATURE - °C									
		25		30		32		35 (*)		40 (*)	
		Cooling capacity (kW)	Power input (kW)	Cooling capacity (kW)	Power input (kW)	Cooling capacity (kW)	Power input (kW)	Cooling capacity (kW)	Power input (kW)	Cooling capacity (kW)	Power input (kW)
163.2	4	533,9	194,0	507,4	209,1	496,1	216,2	494,7	208,9	459,0	229,1
	5	549,1	199,1	521,6	214,1	510,4	220,2	509,2	212,9	472,3	232,1
	6	564,3	203,0	536,8	218,2	524,7	225,2	523,8	216,0	486,5	235,1
	7	579,6	208,1	551,2	222,3	538,9	229,2	538,4	220,0	499,6	238,2
	8	594,9	212,2	565,4	227,1	554,2	234,2	552,9	224,0	514,0	242,1
	9	610,1	217,2	580,6	232,2	568,4	238,3	568,3	228,1	528,2	246,2
178.2	4	590,9	207,8	561,3	224,8	549,0	232,8	554,9	219,5	524,6	240,3
	5	607,3	212,8	577,6	229,8	565,3	236,9	570,4	223,5	540,2	243,2
	6	623,5	217,9	592,8	233,9	580,7	240,9	587,0	227,4	555,8	247,3
	7	640,8	221,9	609,2	238,9	597,0	246,0	603,7	231,4	571,4	251,2
	8	657,1	226,8	625,5	242,9	613,2	251,0	620,4	235,3	588,1	254,2
	9	674,5	231,9	641,9	248,0	628,6	256,1	637,0	239,3	604,7	258,2
196.2	4	642,5	220,8	611,0	239,7	597,8	247,8	612,9	233,1	579,5	255,8
	5	660,9	225,7	628,3	243,8	615,1	251,6	630,5	237,1	596,1	258,8
	6	679,2	230,8	645,6	248,7	632,4	256,7	648,2	241,1	613,9	262,7
	7	697,6	235,7	662,9	253,7	649,6	261,7	666,9	245,0	632,5	266,6
	8	715,9	240,8	681,3	258,7	667,1	266,7	685,5	249,9	650,3	270,5
	9	734,2	245,7	699,6	263,8	685,3	271,6	704,3	253,8	667,9	274,5
212.2	4	702,5	239,0	667,0	260,7	652,6	270,5	665,6	251,9	629,4	277,1
	5	721,9	243,9	685,2	265,6	671,0	275,3	684,3	255,7	648,1	280,9
	6	741,2	248,8	704,6	270,5	689,3	280,3	705,2	259,6	666,8	283,8
	7	761,6	254,6	723,9	275,3	708,7	285,2	724,9	263,5	686,4	287,8
	8	781,9	259,6	743,3	281,2	728,1	290,2	744,6	267,4	706,2	291,6
	9	802,3	264,5	763,6	286,2	747,4	295,0	765,4	272,3	725,9	296,4
229.2	4	752,0	255,5	714,5	280,7	698,2	292,5	715,3	269,8	675,9	298,6
	5	773,4	261,4	734,8	285,7	718,5	296,4	736,0	273,8	696,6	302,4
	6	794,8	266,2	755,1	290,5	738,9	301,2	757,8	277,6	717,3	306,2
	7	816,1	271,1	775,4	296,4	759,1	307,0	779,6	281,3	738,1	310,1
	8	837,4	277,0	796,8	301,2	779,5	311,9	801,3	286,2	758,7	313,9
	9	859,9	282,7	817,1	307,0	799,8	317,7	823,1	290,0	780,6	317,7
240.3	4	802,0	289,3	762,8	311,8	746,7	322,1	739,0	314,1	697,9	342,4
	5	825,2	296,5	784,9	317,9	767,9	328,2	760,6	319,2	718,5	347,3
	6	848,3	302,5	807,1	324,1	790,0	334,2	782,2	324,3	740,1	352,4
	7	871,5	309,7	829,1	331,3	812,1	340,4	804,7	330,3	760,6	358,4
	8	895,6	315,8	852,3	338,3	834,2	347,5	827,3	336,2	783,2	363,5
	9	919,8	323,0	875,5	345,5	857,4	354,7	849,9	342,4	804,7	369,5

Notes: Power input is for compressor only; cooling cap. and power input are referred to evap. fouling factor=0,0176m² °C/kW.

(*) When air temperature is higher than +32°C, fan speed control device sets up fan speed, increasing cooling capacity.

Standard ratings ALS F SE 260.3 ÷ 344.3 XXN

Unit size	Evaporator leaving water temp. (°C)	AIR AMBIENT TEMPERATURE - °C									
		25		30		32		35 (*)		40 (*)	
		Cooling capacity kW	Power input kW	Cooling capacity kW	Power input kW	Cooling capacity kW	Power input kW	Cooling capacity kW	Power input kW	Cooling capacity kW	Power input kW
260.3	4	859,8	305,2	816,8	329,4	799,2	340,5	817,4	324,6	757,8	353,9
	5	884,4	312,3	840,3	336,5	821,8	346,5	842,4	329,6	781,5	359,0
	6	909,2	318,3	863,9	342,4	845,5	353,6	867,6	335,6	805,1	364,9
	7	933,9	325,3	887,6	349,5	869,1	360,7	892,8	341,7	828,8	370,1
	8	959,4	333,4	912,2	356,6	892,8	367,7	917,8	347,8	853,4	376,1
	9	984,1	340,5	936,9	364,6	916,4	374,6	944,1	353,9	877,1	382,3
279.3	4	911,9	319,2	865,8	345,3	847,4	356,4	864,3	338,1	817,3	369,9
	5	937,6	326,2	890,4	351,3	870,9	363,4	890,4	343,1	841,3	374,9
	6	963,1	333,2	916,0	358,4	896,6	370,5	916,6	349,0	867,5	379,8
	7	989,8	340,3	940,6	365,4	921,2	376,5	943,7	355,1	892,5	385,8
	8	1016,5	347,4	966,3	373,5	946,8	384,5	969,9	362,0	918,7	391,7
	9	1043,0	355,4	992,9	380,6	971,3	391,6	997,1	367,9	944,7	397,7
296.3	4	964,2	331,6	916,2	359,7	895,7	371,7	929,2	347,4	879,1	379,0
	5	990,8	338,5	941,7	366,8	922,2	378,8	957,4	352,3	906,2	385,0
	6	1018,5	346,7	968,3	373,7	947,8	385,9	985,6	358,2	933,3	389,8
	7	1046,1	353,7	994,9	380,7	974,4	392,8	1014,8	365,2	960,6	395,9
	8	1074,8	361,7	1022,6	388,8	1001,0	400,9	1042,9	371,2	988,7	401,8
	9	1103,3	368,8	1050,2	395,9	1027,6	407,8	1072,2	378,0	1016,9	407,6
312.3	4	1042,7	341,6	990,7	371,2	969,2	383,9	969,0	366,6	914,8	402,4
	5	1072,2	348,5	1019,2	378,0	996,7	390,9	996,9	371,4	942,9	408,2
	6	1102,8	356,3	1047,7	384,9	1026,4	397,7	1027,2	378,1	971,0	413,1
	7	1133,4	364,2	1077,3	392,8	1055,0	405,6	1056,2	384,0	1000,2	418,9
	8	1164,0	371,2	1107,9	400,7	1084,4	413,5	1086,4	390,8	1029,2	424,7
	9	1195,5	380,0	1137,4	408,6	1114,0	421,4	1116,5	396,6	1058,3	431,6
327.3	4	1075,8	366,4	1020,2	400,6	997,9	415,1	1010,7	384,0	955,0	423,3
	5	1107,0	374,3	1050,5	407,3	1027,2	422,0	1040,5	389,7	983,8	429,1
	6	1137,3	382,0	1079,8	415,1	1056,5	429,8	1071,4	395,4	1013,8	433,9
	7	1168,6	389,8	1110,1	422,9	1085,9	437,6	1102,3	401,3	1043,7	439,6
	8	1201,0	398,5	1140,4	430,7	1116,2	445,3	1133,3	407,9	1073,5	445,3
	9	1232,3	406,4	1170,6	439,5	1145,4	454,1	1165,2	414,7	1103,4	452,1
344.3	4	1137,9	374,9	1081,5	411,4	1058,6	428,1	1096,8	410,0	1036,0	453,8
	5	1170,3	381,8	1112,9	418,3	1088,9	435,0	1129,8	415,9	1068,1	459,5
	6	1202,7	388,7	1144,2	425,1	1120,2	442,0	1162,9	421,8	1100,0	464,4
	7	1235,0	396,5	1175,5	433,0	1151,5	448,9	1196,9	427,5	1131,9	470,2
	8	1268,5	403,4	1207,9	440,9	1182,8	456,8	1229,8	434,3	1165,0	477,1
	9	1301,8	411,4	1239,2	447,9	1214,2	464,6	1265,1	441,2	1197,9	483,0

Notes: Power input is for compressor only; cooling cap. and power input are referred to evap. fouling factor=0,0176m² °C/kW.

(*) When air temperature is higher then +32°C, fan speed control device sets up fan speed, increasing cooling capacity.

Standard ratings ALS F XE 178.2 ÷ 273.2 ST

Unit size	Evaporator leaving water temp. (°C)	AIR AMBIENT TEMPERATURE - °C											
		25		30		35		40		46		48	
		Cooling capac. kW	Power input kW	Cooling capac. kW	Power input kW	Cooling capac. kW	Power input kW	Cooling capac. kW	Power input kW	Cooling capac. kW	Power input kW	Cooling capac. kW	Power input kW
178.2	4	666,7	167,3	638,9	179,9	609,1	193,4	579,3	209,9	542,2	232,7	528,8	240,8
	5	687,2	171,2	658,5	183,7	628,6	197,3	597,7	212,8	560,4	236,1	545,2	243,7
	6	707,8	174,1	678,0	186,6	647,2	200,2	616,3	215,7	577,5	238,4	562,7	245,7
	7	728,4	178,0	698,6	190,5	666,7	204,1	634,8	219,5	595,6	242,0	581,3	249,5
	8	748,9	180,9	718,1	194,4	686,2	208,0	653,4	223,4	613,8	245,5	598,9	252,4
	9	770,6	184,7	738,7	197,3	706,8	211,8	672,9	226,3	632,8	249,0	617,3	255,3
196.2	4	722,7	177,4	692,0	190,9	660,2	206,4	628,4	222,8	588,4	250,1	573,2	257,4
	5	745,1	180,3	713,4	194,7	680,7	209,2	648,0	226,6	607,5	252,2	591,5	260,3
	6	766,7	184,2	734,9	197,7	702,2	213,1	667,4	229,5	627,4	255,6	611,1	263,2
	7	789,1	187,1	756,4	201,5	722,7	217,0	687,9	233,3	646,5	259,1	630,5	266,1
	8	811,7	190,9	778,9	205,4	744,1	220,8	708,4	237,2	666,3	262,6	650,0	269,0
	9	835,2	194,7	800,5	209,2	765,6	224,6	729,8	241,0	686,4	266,0	669,4	272,9
212.2	4	801,0	192,0	765,9	207,6	730,6	225,9	694,4	246,2	649,9	277,2	632,3	286,7
	5	824,8	194,9	789,6	211,3	753,4	228,8	716,2	249,0	671,1	279,3	653,0	289,5
	6	849,6	198,8	813,5	215,2	776,2	232,6	737,8	252,8	692,3	282,5	674,8	291,4
	7	874,6	201,7	837,2	219,1	800,0	236,5	760,7	256,7	714,5	286,0	695,5	295,3
	8	899,3	205,6	862,1	223,0	823,8	240,3	783,4	260,6	736,5	289,3	717,2	298,2
	9	925,2	209,4	886,9	226,9	847,6	244,2	807,2	264,5	758,5	292,8	740,0	302,1
229.2	4	855,7	204,3	819,6	222,7	781,4	242,9	742,2	267,0	695,5	302,6	676,3	314,2
	5	881,5	207,3	844,3	226,6	805,1	246,7	766,0	269,9	717,4	305,8	697,9	316,2
	6	908,2	211,1	869,0	230,3	830,0	250,6	789,7	273,8	740,6	309,0	720,6	319,1
	7	934,0	214,9	894,7	233,2	854,6	254,5	813,5	277,6	763,4	312,4	743,2	322,0
	8	961,8	217,8	921,6	237,1	880,4	258,4	838,1	281,4	787,4	315,7	767,0	324,8
	9	988,7	221,7	948,5	241,0	906,2	262,1	862,8	285,3	811,4	318,9	789,7	328,7
241.2	4	879,7	214,0	855,9	234,4	830,6	255,9	803,6	278,6	768,1	307,1	755,6	317,0
	5	904,6	217,5	880,2	238,1	854,4	259,9	826,8	282,8	791,0	311,8	737,6	307,3
	6	930,5	221,1	905,0	241,9	878,5	263,9	850,4	287,1	814,1	316,5	759,2	311,9
	7	957,0	224,7	930,7	245,8	903,1	268,0	874,3	291,5	837,3	321,3	728,4	302,0
	8	983,9	228,4	956,9	249,8	928,4	272,3	898,6	295,9	860,8	326,1	748,9	306,5
	9	1011,2	232,3	983,5	253,8	954,3	276,6	923,4	300,5	884,6	331,0	769,6	311,1
258.2	4	900,0	207,3	876,3	227,3	851,0	248,4	823,9	270,5	788,9	298,7	776,5	308,5
	5	925,8	210,4	901,5	230,7	875,8	252,1	848,3	274,6	812,5	303,0	800,0	312,9
	6	952,0	213,7	927,3	234,2	900,9	255,8	873,0	278,6	836,6	307,4	823,8	317,4
	7	978,7	217,0	953,3	237,7	926,4	259,7	897,9	282,7	861,0	312,0	848,0	322,0
	8	1006,4	220,4	979,8	241,3	952,2	263,5	923,1	286,8	885,6	316,4	872,4	326,7
	9	1034,8	223,9	1007,3	245,0	978,5	267,4	948,7	291,0	910,5	321,0	897,0	331,4
273.2	4	946,9	213,0	921,9	233,5	895,4	255,0	867,4	277,7	831,4	306,5	818,7	316,4
	5	973,8	216,4	948,3	237,1	921,2	258,9	892,6	281,8	855,8	311,0	842,8	321,1
	6	1001,1	219,7	974,9	240,7	947,3	262,8	918,0	286,0	880,4	315,4	821,5	311,0
	7	1028,9	223,2	1002,1	244,3	973,8	266,8	943,8	290,2	905,5	320,1	844,9	315,5
	8	1057,1	226,7	1029,6	248,1	1000,7	270,7	970,1	294,5	930,9	324,8	868,7	320,0
	9	1085,7	230,3	1057,6	251,9	1028,0	274,8	996,7	298,9	956,7	329,4	892,7	324,6

Note: Power input is for compressor only; cooling cap. and power input are referred to evap. fouling factor=0,0176m² °C/kW.

Standard ratings ALS F XE 279.3 ÷ 426.4 ST

Unit size	Evaporator leaving water temp. (°C)	AIR AMBIENT TEMPERATURE - °C											
		25		30		35		40		46		48	
		Cooling capac. kW	Power input kW	Cooling capac. kW	Power input kW	Cooling capac. kW	Power input kW	Cooling capac. kW	Power input kW	Cooling capac. kW	Power input kW	Cooling capac. kW	Power input kW
279.3	4	1038,2	255,1	993,4	274,4	947,6	295,6	899,7	319,8	843,6	357,7	820,6	368,1
	5	1069,4	260,9	1023,7	280,2	976,8	300,5	928,9	324,6	870,7	361,6	847,6	372,0
	6	1101,7	265,7	1054,9	285,1	1006,9	306,3	958,1	330,4	898,6	366,8	874,7	376,8
	7	1135,1	270,5	1087,1	290,8	1038,2	312,0	987,1	335,3	927,5	371,8	902,9	380,7
	8	1168,4	275,4	1119,5	295,6	1069,4	316,9	1017,4	341,0	956,6	376,0	930,9	385,5
	9	1201,7	281,2	1151,7	301,4	1100,7	322,7	1047,6	346,8	985,6	381,3	960,2	391,3
296.3	4	1093,8	265,6	1046,1	285,8	998,3	308,0	947,5	334,1	889,3	374,6	864,5	385,3
	5	1126,8	270,4	1079,2	290,7	1029,4	313,9	978,6	339,0	918,2	379,6	892,5	390,2
	6	1161,0	275,3	1111,3	296,5	1060,5	318,7	1008,7	344,8	947,2	383,4	921,7	394,1
	7	1195,3	281,1	1144,5	302,3	1093,8	324,5	1039,8	349,6	978,1	388,6	951,6	398,8
	8	1229,5	285,8	1178,7	308,0	1125,8	330,2	1071,9	355,4	1007,8	393,7	980,7	403,7
	9	1264,7	291,6	1212,9	312,9	1159,0	336,1	1104,1	361,2	1038,7	399,0	1011,8	408,5
312.3	4	1176,2	279,1	1125,7	302,3	1073,3	326,6	1018,6	354,6	955,8	399,5	928,0	410,9
	5	1213,2	283,9	1160,7	307,2	1107,2	332,4	1051,6	360,4	987,4	404,4	958,8	414,8
	6	1250,3	289,7	1196,8	313,0	1142,2	337,3	1085,5	365,3	1019,9	408,3	990,8	419,6
	7	1287,4	294,6	1232,8	317,9	1177,2	343,1	1119,5	371,1	1052,3	413,5	1022,7	424,5
	8	1325,5	300,4	1269,9	323,7	1213,2	348,9	1153,5	376,9	1085,8	418,5	1055,7	429,3
	9	1364,7	305,3	1308,0	329,5	1249,3	354,6	1188,5	382,8	1119,4	423,7	1088,6	434,2
327.3	4	1223,6	295,0	1169,4	320,1	1114,3	348,1	1057,2	379,9	991,4	431,4	961,3	443,5
	5	1261,3	299,9	1206,2	325,9	1150,0	353,9	1090,9	385,7	1024,6	436,1	993,8	447,4
	6	1300,1	305,7	1242,8	331,7	1185,8	359,6	1125,6	390,5	1057,7	440,9	1026,6	452,2
	7	1338,9	311,4	1280,7	337,5	1222,4	365,4	1161,2	396,3	1091,7	445,8	1059,2	456,0
	8	1378,6	316,3	1319,4	343,2	1259,2	371,3	1197,0	402,1	1125,9	451,0	1092,8	461,8
	9	1418,4	322,1	1358,1	349,0	1296,9	377,0	1233,7	407,8	1160,9	456,0	1127,6	466,7
344.3	4	1281,3	302,1	1227,4	330,5	1172,2	361,8	1114,0	398,1	1044,4	452,2	1016,5	469,7
	5	1320,4	306,9	1265,4	335,3	1208,2	366,8	1149,0	402,0	1077,9	456,0	1050,5	472,6
	6	1359,6	311,9	1303,5	340,3	1245,3	371,7	1185,0	407,0	1112,4	459,6	1084,3	476,5
	7	1398,9	316,7	1341,6	346,2	1282,4	377,5	1221,0	412,9	1146,8	464,6	1118,3	480,5
	8	1439,2	322,6	1380,8	351,1	1320,4	382,4	1257,9	417,7	1182,4	468,6	1153,2	485,4
	9	1480,4	327,6	1421,1	356,9	1358,6	388,3	1295,1	423,6	1217,9	473,9	1188,1	489,3
358.3	4	1317,0	316,0	1281,8	346,3	1244,6	378,3	1204,7	412,0	1153,0	454,6	1134,6	469,4
	5	1355,4	321,2	1318,5	351,7	1280,3	384,0	1239,6	418,2	1187,0	461,3	1168,5	476,3
	6	1394,5	326,3	1356,6	357,3	1316,6	389,9	1275,0	424,4	1221,5	468,1	1139,4	461,4
	7	1434,2	331,6	1395,5	363,0	1354,3	396,0	1310,9	430,8	1256,3	475,0	1172,1	468,2
	8	1474,6	337,1	1434,8	368,8	1392,7	402,2	1348,0	437,3	1291,7	482,0	1123,8	453,1
	9	1515,6	342,6	1474,8	374,6	1431,7	408,5	1386,0	444,1	1327,6	489,2	1155,0	459,8
392.3	4	1387,1	308,1	1350,4	337,9	1310,9	369,3	1270,3	402,6	1219,5	444,9	1201,6	459,6
	5	1427,7	312,7	1390,0	342,9	1350,2	374,8	1307,6	408,3	1255,0	451,1	1236,8	465,9
	6	1469,0	317,6	1430,3	348,1	1389,6	380,3	1346,4	414,2	1290,9	457,3	1272,4	472,3
	7	1511,2	322,4	1471,5	353,4	1429,7	386,0	1385,4	420,2	1328,8	463,8	1309,0	478,9
	8	1553,6	327,4	1513,3	358,6	1470,4	391,6	1425,1	426,3	1367,2	470,4	1346,9	485,6
	9	1596,7	332,4	1555,5	364,0	1511,8	397,4	1465,5	432,5	1406,2	477,0	1385,5	492,5
426.4	4	1557,9	386,3	1491,0	418,6	1422,1	454,6	1351,1	495,7	1262,8	555,4	1232,6	578,6
	5	1604,5	393,2	1536,6	425,3	1466,6	461,5	1393,7	502,6	1304,1	560,8	1273,1	583,4
	6	1652,1	400,1	1582,2	433,2	1511,3	469,3	1437,2	509,2	1345,4	567,5	1313,7	589,3
	7	1699,7	406,8	1629,8	440,1	1556,9	476,2	1480,8	517,1	1387,7	573,1	1355,2	595,2
	8	1749,5	413,7	1676,5	447,8	1602,4	483,9	1525,5	524,9	1429,9	580,0	1396,7	601,9
	9	1799,2	421,5	1725,1	455,7	1649,1	492,8	1571,0	532,7	1473,1	588,4	1439,3	608,8

Note: Power input is for compressor only; cooling cap. and power input are referred to evap. fouling factor=0,0176m² °C/kW.

Standard ratings ALS F XE 460.4 ÷ 520.4 ST

Unit size	Evaporator leaving water temp. (°C)	AIR AMBIENT TEMPERATURE - °C											
		25		30		35		40		46		48	
		Cooling capac. kW	Power input kW	Cooling capac. kW	Power input kW	Cooling capac. kW	Power input kW	Cooling capac. kW	Power input kW	Cooling capac. kW	Power input kW	Cooling capac. kW	Power input kW
460.4	4	1711,2	409,7	1638,2	446,3	1562,8	487,9	1484,5	535,3	1386,6	603,5	1352,6	629,0
	5	1762,9	416,4	1688,6	454,1	1611,3	494,6	1530,9	542,0	1431,4	608,4	1396,9	634,8
	6	1815,4	423,2	1739,1	460,8	1659,7	502,4	1578,3	548,8	1476,4	615,1	1442,2	639,5
	7	1869,0	430,0	1790,6	468,6	1710,3	510,2	1626,7	556,5	1523,1	621,6	1487,5	645,4
	8	1922,6	437,6	1843,1	476,3	1760,7	517,8	1676,3	563,2	1569,9	628,2	1533,0	652,2
	9	1977,2	444,4	1895,8	484,1	1812,3	525,6	1725,7	571,9	1617,7	635,2	1580,3	658,9
495.4	4	1759,3	428,1	1711,7	468,8	1661,1	511,9	1607,0	557,1	1536,2	614,2	1511,2	634,0
	5	1809,2	434,9	1760,5	476,3	1708,8	519,8	1653,6	565,6	1581,9	623,6	1475,2	614,5
	6	1861,0	442,1	1810,0	483,7	1757,2	527,9	1700,8	574,2	1628,1	633,0	1416,5	595,0
	7	1913,9	449,5	1861,3	491,6	1806,2	536,0	1748,7	583,1	1674,5	642,5	1456,8	604,0
	8	1967,7	457,0	1913,8	499,6	1856,7	544,6	1797,2	592,0	1721,6	652,2	1497,8	613,1
	9	2022,3	464,6	1967,0	507,8	1908,6	553,3	1846,7	601,1	1769,3	662,0	1539,2	622,3
520.4	4	1872,2	443,7	1821,0	485,5	1767,0	529,5	1709,5	575,8	1635,3	634,5	1525,0	625,2
	5	1925,0	451,1	1872,7	493,3	1817,2	537,9	1758,5	584,8	1682,8	644,3	1464,1	605,6
	6	1978,5	458,4	1925,0	501,3	1868,3	546,5	1808,2	593,9	1731,0	654,2	1506,0	614,9
	7	2032,8	466,1	1977,9	509,4	1919,9	555,1	1858,5	603,2	1685,7	634,2	1452,6	588,4
	8	2087,9	473,8	2031,8	517,7	1972,3	564,0	1909,5	612,7	1732,3	644,0	1492,7	597,5
	9	2143,9	481,7	2086,2	526,1	2025,5	573,0	1961,2	622,3	1779,6	653,8	1533,5	606,6

Note: Power input is for compressor only; cooling cap. and power input are referred to evap. fouling factor=0,0176m² °C/kW.

Standard ratings ALS F XE 178.2 ÷ 273.2 LN, XN

Unit size	Evaporator leaving water temp. (°C)	AIR AMBIENT TEMPERATURE - °C									
		25		30		35		40		44	
		Cooling capacity kW	Power input kW	Cooling capacity kW	Power input kW	Cooling capacity kW	Power input kW	Cooling capacity kW	Power input kW	Cooling capacity kW	Power input kW
178.2	4	644,5	176,0	615,7	189,5	586,1	204,1	555,4	221,4	530,8	237,9
	5	663,0	179,9	634,3	193,4	604,6	208,0	572,8	225,3	547,1	240,8
	6	682,5	183,7	652,7	197,3	621,9	211,8	590,3	228,2	564,6	243,7
	7	702,0	187,6	672,2	201,2	640,4	215,7	607,6	232,1	580,9	247,6
	8	722,5	191,5	690,6	205,0	658,9	219,5	626,0	236,0	598,4	251,4
196.2	4	706,9	190,3	676,0	204,9	643,9	220,7	609,8	240,3	583,1	258,9
	5	728,6	194,1	696,6	207,9	663,5	224,6	629,5	244,2	600,6	261,8
	6	749,2	197,1	716,1	212,8	683,2	228,4	648,0	247,0	619,1	264,7
	7	770,8	201,1	736,8	216,7	702,7	232,4	667,7	251,0	638,8	268,7
	8	792,5	205,9	758,5	220,7	723,4	237,3	687,3	255,0	657,3	272,7
212.2	4	773,8	205,1	738,8	222,7	703,7	242,3	666,5	264,7	635,6	286,2
	5	796,5	209,1	761,4	226,6	725,3	246,1	687,1	268,7	656,3	289,1
	6	820,3	212,9	784,2	230,5	747,0	250,1	707,8	272,4	675,9	293,0
	7	844,0	217,8	806,9	235,4	768,7	253,9	729,5	276,4	696,5	296,9
	8	867,7	221,7	829,5	239,3	791,4	258,9	751,1	280,3	718,1	300,9
229.2	4	827,5	216,9	790,4	237,1	752,3	259,3	712,3	285,3	679,4	309,4
	5	852,0	220,7	814,0	241,0	774,9	263,1	734,9	289,2	700,9	313,3
	6	876,7	224,6	837,7	244,8	798,6	267,0	756,5	293,0	722,5	316,2
	7	901,3	229,4	862,4	248,7	822,2	270,9	779,0	296,9	745,2	320,0
	8	927,0	233,2	887,0	253,5	845,9	275,7	802,7	300,7	766,7	323,8
241.2	4	862,7	228,4	837,9	249,6	811,3	271,8	782,7	295,1	758,2	314,5
	5	886,8	232,4	861,4	253,8	834,3	276,4	805,2	300,0	780,4	319,7
	6	911,2	236,5	885,3	258,2	857,5	281,1	828,0	305,1	760,7	310,4
	7	936,6	240,8	909,4	262,7	881,2	285,9	850,9	310,1	782,0	315,6
	8	962,5	245,1	934,4	267,3	905,0	290,7	874,2	315,3	749,3	306,0
258.2	4	884,9	219,7	860,4	240,4	833,8	262,1	805,6	284,9	781,5	304,0
	5	910,0	223,4	884,9	244,3	858,0	266,4	829,1	289,4	804,6	308,8
	6	935,6	227,1	909,7	248,3	882,4	270,7	853,0	294,1	828,0	313,7
	7	961,4	231,0	935,0	252,4	907,0	275,1	877,3	298,9	851,8	318,6
	8	987,6	234,8	960,6	256,6	932,0	279,5	901,6	303,6	875,8	323,7
273.2	4	930,5	226,4	904,7	247,5	877,3	269,8	848,1	293,1	823,4	312,7
	5	956,7	230,2	930,2	251,6	902,2	274,2	872,3	297,9	847,1	317,7
	6	983,1	234,2	956,0	255,8	927,3	278,7	896,9	302,6	871,2	322,7
	7	1010,0	238,1	982,2	260,1	952,8	283,2	921,7	307,5	895,4	327,9
	8	1037,2	242,2	1008,7	264,4	978,7	287,8	946,8	312,4	920,0	333,0
9	1064,8	246,3	1035,6	268,8	1004,9	292,6	972,3	317,5	894,7	323,0	

Note: Power input is for compressor only; cooling cap. and power input are referred to evap. fouling factor=0,0176m² °C/kW.

Standard ratings ALS F XE 279.3 ÷ 426.4 LN, XN

Unit size	Evaporator leaving water temp. (°C)	AIR AMBIENT TEMPERATURE - °C									
		25		30		35		40		44	
		Cooling capacity kW	Power input kW	Cooling capacity kW	Power input kW	Cooling capacity kW	Power input kW	Cooling capacity kW	Power input kW	Cooling capacity kW	Power input kW
279.3	4	1003,9	271,8	958,3	292,3	912,6	315,7	863,8	342,2	824,4	367,6
	5	1034,1	277,7	987,3	298,2	940,6	320,7	891,8	348,0	851,3	372,5
	6	1064,2	283,6	1017,5	304,1	968,7	326,6	918,9	353,0	877,3	377,4
	7	1095,4	289,4	1047,6	310,0	997,7	332,4	946,9	358,9	904,2	383,2
	8	1126,5	295,2	1077,6	315,7	1026,8	338,3	974,9	364,7	932,3	388,2
	9	1157,7	301,2	1107,8	321,6	1056,9	345,1	1003,9	370,5	959,3	394,0
296.3	4	1059,5	283,7	1011,8	305,2	963,2	329,7	912,3	359,0	870,9	385,4
	5	1091,5	288,6	1042,8	311,1	993,2	335,5	941,5	363,9	898,9	390,3
	6	1123,7	294,5	1073,9	317,0	1023,2	341,4	970,4	369,8	927,0	395,3
	7	1155,8	300,4	1105,0	322,8	1053,2	347,4	999,4	374,7	954,9	401,1
	8	1188,9	307,2	1137,1	328,7	1084,3	353,2	1029,4	380,5	983,9	406,0
	9	1222,0	313,0	1169,3	335,5	1115,4	360,0	1059,5	387,4	1012,8	411,9
312.3	4	1140,9	294,0	1089,6	317,2	1036,1	344,3	981,4	375,3	936,3	404,3
	5	1175,0	299,8	1122,4	323,0	1069,0	350,0	1012,3	380,1	967,1	409,1
	6	1209,9	305,6	1156,4	329,8	1101,9	355,9	1044,3	385,8	997,0	414,0
	7	1245,8	311,4	1191,3	335,6	1134,8	361,7	1076,2	391,7	1028,9	419,7
	8	1282,0	317,2	1226,4	341,4	1168,8	368,5	1109,1	398,4	1059,7	424,5
	9	1319,0	324,0	1261,4	348,2	1202,7	374,3	1142,0	404,3	1092,6	431,3
327.3	4	1184,7	313,4	1130,6	339,4	1074,5	369,3	1017,3	405,0	969,4	437,8
	5	1220,4	319,2	1165,4	345,2	1108,2	376,0	1049,0	410,7	1000,0	442,5
	6	1257,2	324,9	1201,1	352,0	1141,9	381,8	1081,7	416,5	1031,6	448,4
	7	1293,9	331,7	1235,7	358,6	1176,5	388,6	1115,3	422,4	1064,4	453,2
	8	1331,7	337,5	1272,5	364,5	1211,3	394,3	1149,1	428,1	1097,0	458,9
	9	1369,5	344,2	1309,2	371,3	1247,0	401,1	1182,7	434,9	1129,6	465,7
344.3	4	1243,9	321,3	1189,0	350,8	1133,0	385,1	1073,8	424,4	1025,2	461,8
	5	1280,9	327,2	1224,9	356,6	1166,7	390,1	1107,6	429,4	1057,9	466,8
	6	1317,8	332,2	1260,8	362,5	1202,7	395,9	1141,4	435,3	1090,7	470,6
	7	1356,0	338,0	1297,7	368,5	1237,6	401,8	1175,3	440,2	1124,4	475,6
	8	1394,0	343,9	1334,8	374,4	1273,6	407,8	1210,2	446,1	1157,3	481,4
	9	1433,1	349,8	1372,8	380,2	1310,5	414,6	1244,9	452,0	1192,1	486,4
358.3	4	1293,1	336,4	1256,5	367,8	1217,6	400,9	1175,8	435,6	1139,9	464,5
	5	1329,4	342,2	1291,8	373,9	1252,0	407,5	1209,5	442,7	1173,2	472,1
	6	1367,2	348,2	1327,8	380,3	1287,0	414,2	1243,6	449,9	1143,1	457,9
	7	1405,5	354,4	1365,1	386,8	1322,6	421,1	1278,1	457,2	1175,1	465,4
	8	1444,5	360,7	1403,0	393,6	1359,1	428,2	1313,0	464,6	1207,4	472,9
	9	1484,0	367,1	1441,5	400,4	1396,5	435,4	1348,8	472,3	1240,2	480,5
392.3	4	1364,7	325,5	1326,8	356,3	1286,7	388,7	1245,8	423,0	1211,1	451,8
	5	1404,2	330,9	1365,2	362,0	1324,1	394,8	1281,1	429,4	1245,7	458,6
	6	1444,3	336,4	1404,4	367,9	1362,2	401,1	1317,5	436,0	1280,8	465,4
	7	1485,1	342,0	1444,2	373,9	1400,8	407,5	1354,9	442,8	1316,6	472,4
	8	1526,7	347,7	1484,6	380,0	1440,2	414,0	1393,2	449,8	1353,7	479,7
	9	1568,6	353,6	1525,8	386,3	1480,2	420,7	1432,1	456,9	1391,6	487,1
426.4	4	1521,2	404,3	1453,8	438,2	1384,4	476,8	1311,9	522,1	1251,6	564,6
	5	1566,0	412,1	1497,6	445,8	1426,2	484,4	1351,7	528,9	1290,4	570,4
	6	1612,1	419,8	1541,6	454,6	1468,0	492,2	1393,6	536,5	1330,3	577,1
	7	1658,0	427,5	1586,5	462,2	1511,9	500,8	1434,4	544,3	1371,1	584,8
	8	1704,9	436,2	1631,4	471,0	1555,9	508,6	1477,2	552,0	1412,0	591,6
	9	1751,9	443,9	1677,3	479,6	1599,7	517,2	1520,1	560,7	1453,8	599,3

Note: Power input is for compressor only; cooling cap. and power input are referred to evap. fouling factor=0,0176m² °C/kW.

Standard ratings ALS F XE 460.4 ÷ 520.4 LN, XN

Unit size	Evaporator leaving water temp. (°C)	AIR AMBIENT TEMPERATURE - °C									
		25		30		35		40		44	
		Cooling capacity kW	Power input kW	Cooling capacity kW	Power input kW	Cooling capacity kW	Power input kW	Cooling capacity kW	Power input kW	Cooling capacity kW	Power input kW
460.4	4	1629,4	433,6	1556,5	472,0	1481,6	517,2	1402,7	569,0	1337,9	618,1
	5	1677,9	441,2	1603,1	480,7	1526,1	524,9	1446,2	576,8	1380,4	623,9
	6	1726,6	448,9	1650,6	488,3	1571,8	532,6	1490,7	583,5	1422,9	630,6
	7	1776,2	456,7	1698,1	497,0	1618,3	541,2	1535,3	591,2	1466,5	638,3
	8	1825,7	465,3	1746,8	505,7	1664,9	549,8	1580,9	599,9	1510,0	645,1
	9	1876,3	473,9	1796,4	514,3	1712,5	558,5	1626,3	608,4	1554,5	653,7
495.4	4	1725,4	456,8	1675,7	499,1	1622,7	543,6	1565,2	590,1	1516,3	629,0
	5	1773,6	464,8	1722,7	507,7	1668,6	552,8	1610,6	600,1	1560,6	639,5
	6	1822,5	473,0	1770,5	516,4	1715,1	562,1	1656,1	610,1	1521,5	620,8
	7	1873,3	481,5	1818,8	525,4	1762,2	571,6	1701,9	620,3	1564,0	631,1
	8	1925,0	490,2	1868,7	534,6	1810,0	581,3	1748,4	630,6	1498,7	611,9
	9	1977,4	499,2	1919,7	544,1	1858,7	591,3	1795,4	641,1	1539,2	622,0
520.4	4	1833,9	474,9	1780,8	518,3	1724,3	564,0	1664,0	611,9	1528,4	622,5
	5	1884,8	483,4	1830,3	527,4	1772,5	573,8	1711,0	622,3	1571,8	632,9
	6	1936,2	492,2	1880,3	536,7	1821,3	583,6	1758,5	632,8	1507,1	614,0
	7	1988,5	501,1	1931,2	546,2	1870,7	593,7	1806,5	643,6	1548,4	624,4
	8	2041,4	510,1	1982,7	555,9	1920,7	604,0	1855,0	654,6	1491,6	598,4
	9	2095,0	519,4	2034,9	565,7	1971,4	614,5	1904,2	665,6	1428,1	569,1

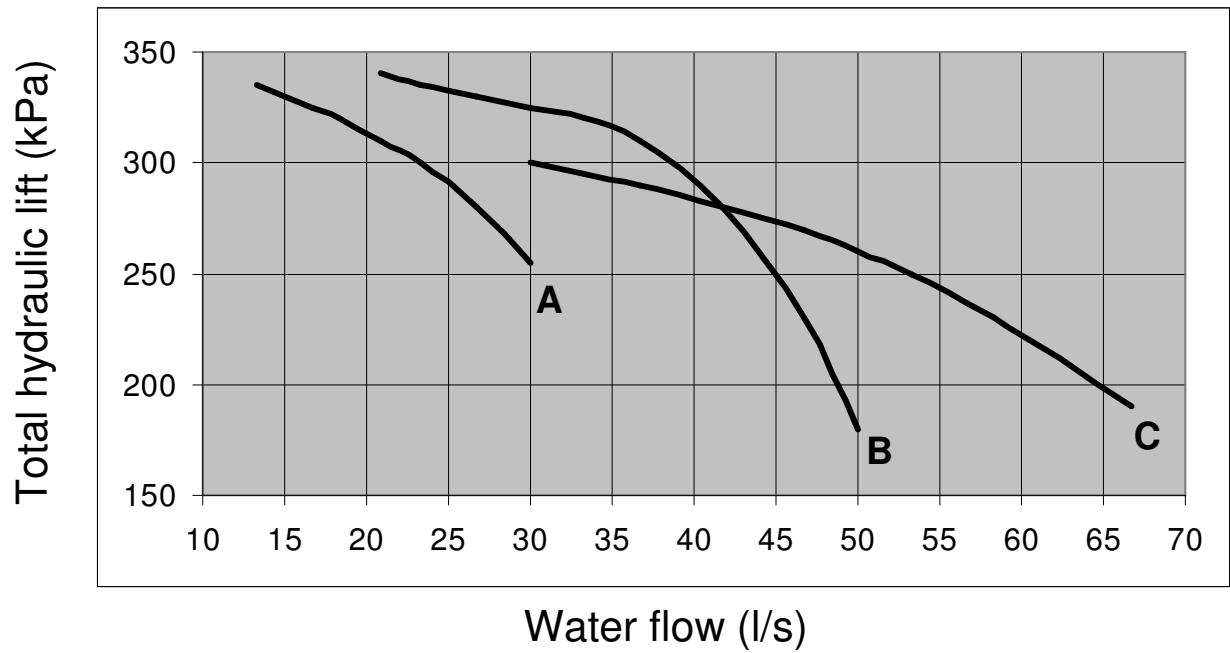
Note: Power input is for compressor only; cooling cap. and power input are referred to evap. fouling factor=0,0176m² °C/kW.

Standard ratings ALS F XE 163.2 ÷ 296.3 XXN

Unit size	Evaporator leaving water temp. (°C)	AIR AMBIENT TEMPERATURE - °C									
		25		30		32		35		40	
		Cooling capacity kW	Power input kW	Cooling capacity kW	Power input kW	Cooling capacity kW	Power input kW	Cooling capacity kW	Power input kW	Cooling capacity kW	Power input kW
163.2	4	576,7	176,2	549,9	189,3	539,0	195,1	522,2	204,6	493,3	222,9
	5	593,2	180,0	565,9	193,1	554,7	198,8	537,6	208,2	508,1	226,1
	6	610,0	183,9	582,1	197,0	570,7	202,7	553,2	212,0	523,1	229,7
	7	626,9	187,9	598,4	200,9	586,8	206,7	568,9	215,9	538,2	233,3
	8	644,1	191,9	615,0	205,0	603,1	210,7	584,9	219,8	553,5	237,1
	9	661,4	196,1	631,7	209,2	619,5	214,9	601,0	224,0	569,0	241,0
178.2	4	639,8	192,7	609,8	207,4	597,5	213,9	578,7	224,4	546,4	244,9
	5	658,2	196,8	627,6	211,4	615,0	217,9	595,8	228,4	562,8	248,5
	6	676,8	201,0	645,5	215,7	632,7	222,1	613,1	232,4	579,4	252,3
	7	695,6	205,3	663,7	219,9	650,6	226,3	630,6	236,7	596,3	256,2
	8	714,7	209,6	682,1	224,3	668,7	230,8	648,3	241,0	613,3	260,3
	9	734,0	214,2	700,6	228,9	687,0	235,3	666,2	245,5	630,5	264,6
196.2	4	677,3	213,6	645,6	230,7	632,7	238,3	612,9	250,7	578,8	274,3
	5	696,6	218,0	664,2	235,1	651,1	242,6	630,8	254,8	596,1	278,1
	6	716,1	222,6	683,2	239,6	669,6	247,1	649,1	259,2	613,7	282,2
	7	735,8	227,2	702,2	244,2	688,5	251,7	667,5	263,6	631,3	286,4
	8	755,8	231,9	721,5	249,0	707,5	256,4	686,0	268,3	649,3	290,8
	9	776,0	236,8	741,0	253,9	726,7	261,3	704,8	273,1	667,4	295,3
240.3	4	851,3	262,9	811,8	282,6	795,6	291,5	770,8	305,8	728,0	333,7
	5	875,9	268,5	835,5	288,2	819,0	297,0	793,6	311,2	750,0	338,6
	6	900,8	274,2	859,6	293,9	842,7	302,6	816,8	316,7	772,2	343,7
	7	926,0	280,1	883,9	299,8	866,6	308,5	840,2	322,5	794,7	349,1
	8	951,6	286,1	908,5	305,9	890,9	314,5	863,9	328,4	817,5	354,6
	9	977,3	292,3	933,4	312,1	915,4	320,7	887,9	334,5	840,6	360,4
260.3	4	924,9	273,9	882,0	294,6	864,5	303,8	837,7	318,7	791,5	347,5
	5	951,8	279,7	908,1	300,4	890,2	309,5	862,8	324,3	815,7	352,5
	6	979,2	285,7	934,5	306,3	916,2	315,4	888,2	330,1	840,1	357,9
	7	1006,8	291,8	961,2	312,4	942,5	321,5	913,9	336,0	864,9	363,5
	8	1034,8	298,0	988,2	318,7	969,1	327,7	940,0	342,2	890,0	369,3
	9	1063,1	304,4	1015,5	325,1	996,1	334,1	966,3	348,5	915,3	375,4
279.3	4	965,9	292,3	920,7	315,5	902,2	325,8	873,9	342,5	825,1	375,0
	5	993,7	298,5	947,6	321,5	928,7	331,7	899,8	348,3	850,0	380,2
	6	1021,9	304,7	974,8	327,8	955,5	337,9	926,0	354,3	875,2	385,7
	7	1050,4	311,1	1002,3	334,1	982,6	344,2	952,5	360,5	900,7	391,4
	8	1079,2	317,7	1030,1	340,8	1010,0	350,8	979,3	366,9	926,5	397,5
	9	1108,3	324,4	1058,2	347,5	1037,7	357,5	1006,4	373,6	952,6	403,7
296.3	4	1025,0	292,6	977,8	316,3	958,4	326,7	928,8	343,9	877,9	376,7
	5	1054,5	298,6	1006,3	322,1	986,6	332,6	956,4	349,5	904,5	381,8
	6	1084,4	304,6	1035,2	328,2	1015,1	338,5	984,3	355,3	931,4	387,2
	7	1114,6	310,9	1064,5	334,5	1043,9	344,7	1012,5	361,4	958,6	392,8
	8	1145,2	317,3	1094,0	340,9	1073,1	351,1	1041,1	367,7	986,1	398,7
	9	1176,2	323,8	1123,9	347,4	1102,6	357,7	1069,9	374,1	1013,9	404,9

Note: Power input is for compressor only; cooling cap. and power input are referred to evap. fouling factor=0,0176m² °C/kW.

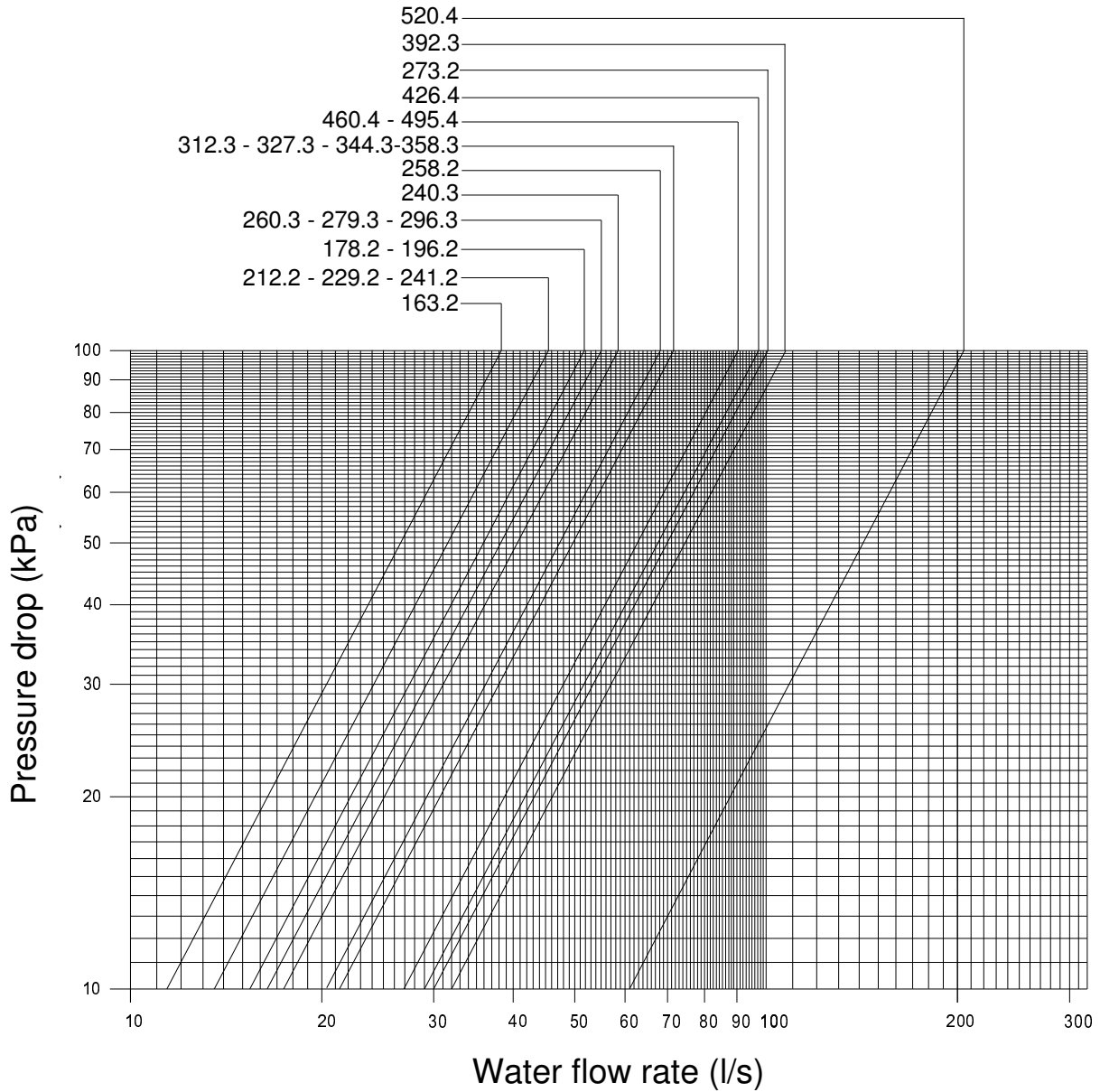
Water pump diagram



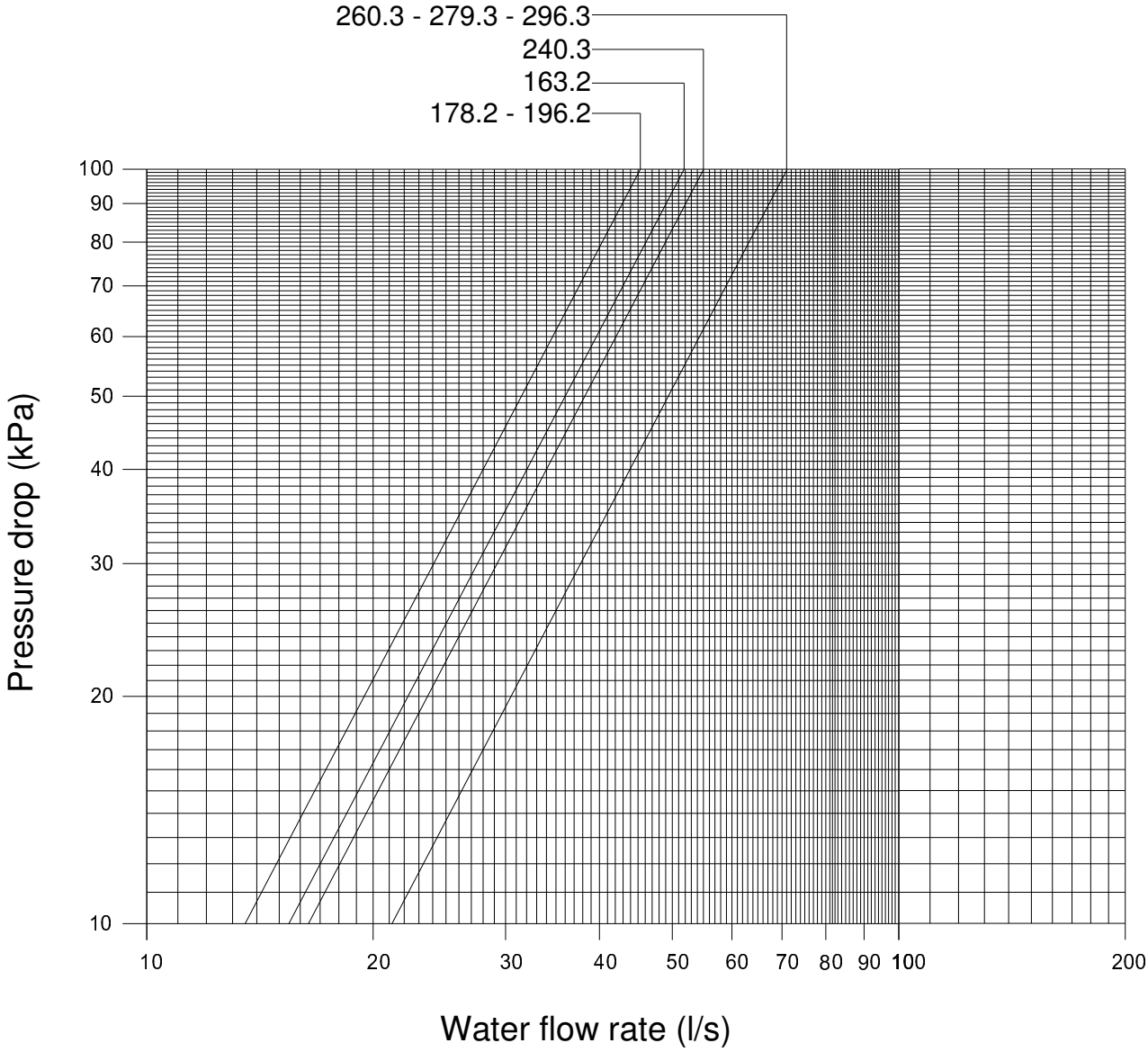
Pump type	Unit model	Motor power	AMPS	Electric protection	Voltage
		kW	A		V / Hz
A	163.2 ÷ 178.2	11	22,5	IP54	400/3/50
B	196.2 ÷ 279.3	15	30,0	IP54	400/3/50
C	296.3 ÷ 344.3	18,5	32,0	IP54	400/3/50

NOTE: to have the useful hydraulic lift is necessary to subtract the evaporator pressure drop to the total hydraulic lift.

Evaporator pressure drop ALS F SE ST, LN, XN, XXN - ALS F XE ST, LN, XN



Evaporator pressure drop ALS F XE XXN

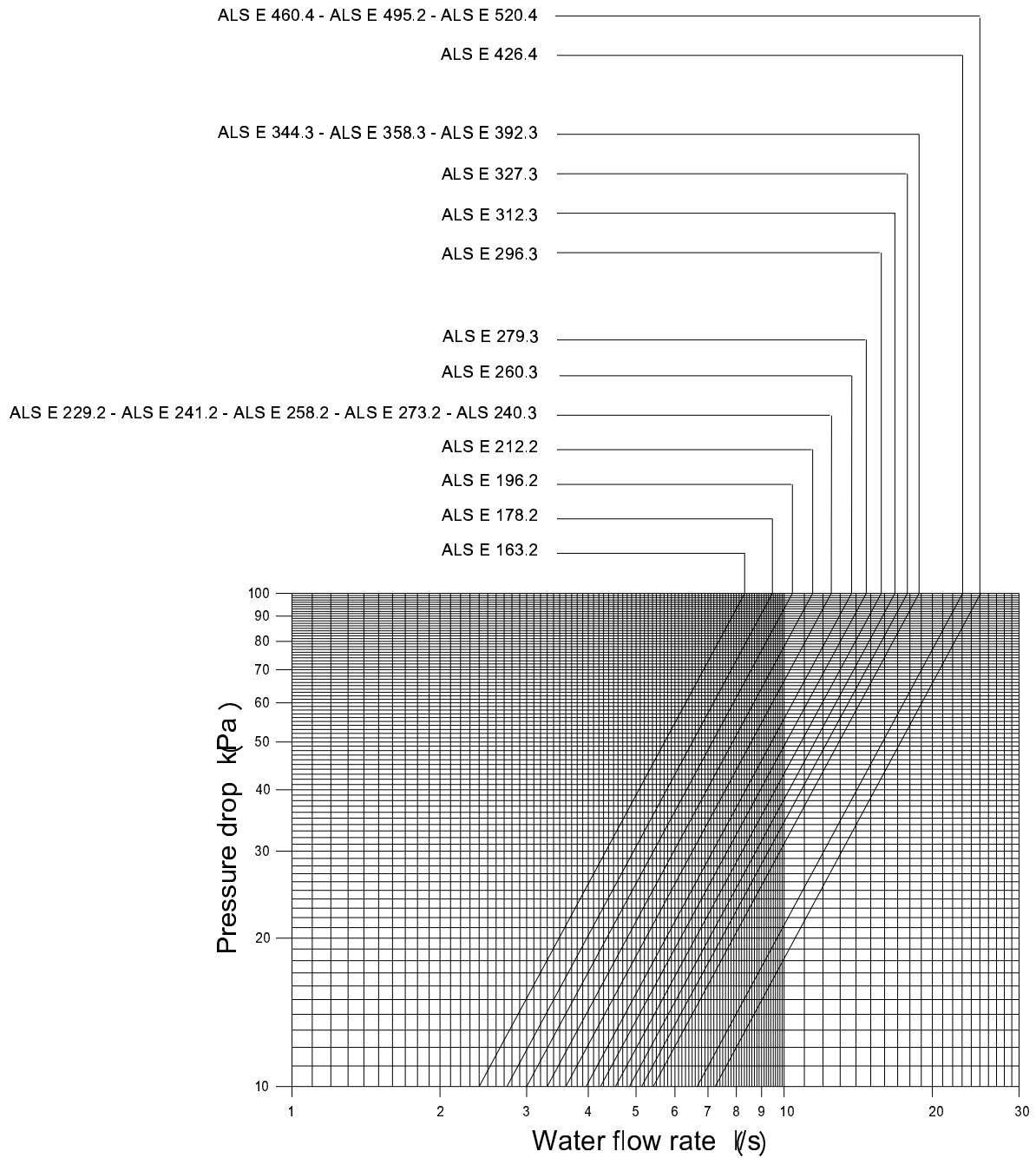


Partial heat recovery ratings ALS F 163.2 ÷ 520.4

Unit size		LEAVING DESUPERHEATERS WATER TEMPERATURE - °C		
		45	50	55
		Heating capacity (kW)	Heating capacity (kW)	Heating capacity (kW)
163.2	Leaving chilled water temperature 7 °C ΔT 5 °C – Air temperature 35 °C	110	94	77
178.2		122	104	86
196.2		134	114	94
212.2		145	123	102
229.2		157	133	110
240.3		165	141	116
241.2		162	138	113
258.2		169	144	118
260.3		177	151	124
273.2		177	151	124
279.3		189	161	132
296.3		201	171	141
312.3		212	180	149
327.3		224	190	156
344.3		235	200	164
358.3		240	206	168
392.3		260	222	182
426.4		291	247	203
460.4		313	266	219
495.4		323	276	226
520.4	350	299	245	

Pressure drop for partial heat recovery

ALS F 163.2 ÷ 520.4



Total heat recovery ratings ALS F SE 163.2÷241.2

Unit size	Leaving chilled water temperature (°C)	LEAVING HEAT RECOVERY CONDENSER WATER TEMPERATURE - °C											
		40			45			50			55		
		Cool. capac. (kW)	Power input (kW)	Heating capac. (kW)	Cool. capac. (kW)	Power input (kW)	Heating capac. (kW)	Cool. capac. (kW)	Power input (kW)	Heating capac. (kW)	Cool. capac. (kW)	Power input (kW)	Heating capac. (kW)
163.2	4	567,6	171,1	738,7	541,4	184,3	725,7	514,2	199,5	713,7	486,1	217,7	703,8
	5	586,2	173,7	759,9	559,3	186,8	746,1	531,6	201,8	733,4	502,8	219,5	722,3
	6	605,0	176,3	781,3	577,5	189,4	766,9	549,2	204,2	753,4	519,9	221,5	741,4
	7	624,2	179,0	803,2	596,2	192,1	788,3	567,2	206,7	773,9	537,4	223,7	761,1
	8	643,6	181,7	825,3	615,1	194,8	809,9	585,6	209,4	795,0	555,1	226,0	781,1
	9	663,4	184,4	847,8	634,4	197,6	832,0	604,3	212,1	816,4	573,1	228,5	801,6
178.2	4	627,9	182,2	810,1	598,9	196,8	795,7	569,1	213,6	782,7	538,2	233,3	771,5
	5	648,3	184,9	833,2	618,7	199,4	818,1	588,1	215,9	804,0	556,7	235,2	791,9
	6	669,0	187,6	856,6	638,8	202,1	840,9	607,7	218,4	826,1	575,6	237,3	812,9
	7	690,0	190,3	880,3	659,3	204,8	864,1	627,5	221,0	848,5	594,7	239,5	834,2
	8	711,4	193,1	904,5	680,1	207,7	887,8	647,8	223,7	871,5	614,3	242,0	856,3
	9	733,3	195,9	929,2	701,3	210,6	911,9	668,3	226,5	894,8	634,2	244,5	878,7
196.2	4	676,5	193,4	869,9	645,6	209,6	855,2	613,6	228,2	841,8	580,6	250,2	830,8
	5	698,2	196,1	894,3	666,6	212,1	878,7	634,1	230,5	864,6	600,4	252,0	852,4
	6	720,3	198,8	919,1	688,0	214,8	902,8	654,8	232,9	887,7	620,5	254,0	874,5
	7	742,6	201,5	944,1	709,9	217,6	927,5	676,0	235,5	911,5	641,0	256,2	897,2
	8	765,5	204,3	969,8	732,0	220,4	952,4	697,5	238,2	935,7	661,8	258,5	920,3
	9	788,6	207,1	995,7	754,6	223,3	977,9	719,4	241,0	960,4	683,0	261,0	944,0
212.2	4	754,9	212,2	967,1	719,6	231,1	950,7	683,2	252,8	936,0	645,6	278,3	923,9
	5	779,6	214,9	994,5	743,6	233,7	977,3	706,4	255,1	961,5	668,0	280,0	948,0
	6	804,6	217,6	1022,2	767,9	236,4	1004,3	730,0	257,6	987,6	690,7	282,0	972,7
	7	830,2	220,5	1050,7	792,7	239,3	1032,0	754,0	260,2	1014,2	714,0	284,2	998,2
	8	856,1	223,3	1079,4	817,9	242,2	1060,1	778,4	263,0	1041,4	737,7	286,6	1024,3
	9	882,6	226,2	1108,8	843,6	245,1	1088,7	803,3	265,8	1069,1	761,7	289,2	1050,9
229.2	4	790,4	226,0	1016,4	754,2	248,1	1002,3	716,7	273,7	990,4	677,8	303,7	981,5
	5	815,8	228,5	1044,3	778,8	250,5	1029,3	740,6	275,6	1016,2	700,9	305,0	1005,9
	6	841,5	231,0	1072,5	803,8	252,9	1056,7	764,8	277,7	1042,5	724,4	306,5	1030,9
	7	867,7	233,6	1101,3	829,3	255,4	1084,7	789,5	280,0	1069,5	748,3	308,3	1056,6
	8	894,2	236,3	1130,5	855,1	258,1	1113,2	814,6	282,4	1097,0	772,6	310,3	1082,9
	9	921,2	238,9	1160,1	881,4	260,8	1142,2	840,1	284,9	1125,0	797,3	312,4	1109,7
240.3	4	830,4	256,6	1087,0	791,6	276,8	1068,4	751,4	300,3	1051,7	709,9	328,4	1038,3
	5	857,4	260,5	1117,9	817,7	280,5	1098,2	776,7	303,7	1080,4	734,3	331,0	1065,3
	6	884,8	264,5	1149,3	844,3	284,5	1128,8	802,5	307,2	1109,7	759,2	334,0	1093,2
	7	912,7	268,6	1181,3	871,4	288,5	1159,9	828,7	311,0	1139,7	784,6	337,2	1121,8
	8	941,1	272,8	1213,9	899,0	292,7	1191,7	855,4	314,9	1170,3	810,3	340,6	1150,9
	9	970,0	277,0	1247,0	927,0	297,0	1224,0	882,6	319,1	1201,7	836,6	344,3	1180,9
241.2	4	856,3	227,0	1083,3	832,5	248,5	1081,0	807,3	271,1	1078,4	780,3	294,8	1075,1
	5	881,4	230,1	1111,5	856,9	251,8	1108,7	831,0	274,6	1105,6	803,5	298,7	1102,2
	6	907,2	233,4	1140,6	881,7	255,3	1137,0	855,1	278,3	1133,4	827,0	302,6	1129,6
	7	933,4	236,8	1170,2	907,3	258,9	1166,2	879,6	282,2	1161,8	850,7	306,7	1157,4
	8	960,0	240,3	1200,3	933,2	262,6	1195,8	905,0	286,2	1191,2	874,9	311,0	1185,9
	9	986,8	243,9	1230,7	959,4	266,5	1225,9	930,5	290,3	1220,8	899,8	315,4	1215,2

Total heat recovery ratings ALS F SE 260.3 ÷ 358.3

Unit size	Leaving chilled water temperature (°C)	LEAVING HEAT RECOVERY CONDENSER WATER TEMPERATURE - °C											
		40			45			50			55		
		Cool. capac. (kW)	Power input (kW)	Heating capac. (kW)	Cool. capac. (kW)	Power input (kW)	Heating capac. (kW)	Cool. capac. (kW)	Power input (kW)	Heating capac. (kW)	Cool. capac. (kW)	Power input (kW)	Heating capac. (kW)
260.3	4	879,9	270,1	1150,0	838,2	292,0	1130,2	795,2	317,6	1112,8	750,6	348,2	1098,8
	5	908,7	274,2	1182,9	866,0	295,9	1161,9	822,0	321,0	1143,0	776,6	350,8	1127,4
	6	937,9	278,3	1216,2	894,5	299,9	1194,4	849,5	324,6	1174,1	803,1	353,8	1156,9
	7	967,7	282,6	1250,3	923,3	304,1	1227,4	877,5	328,5	1206,0	830,1	357,0	1187,1
	8	997,9	286,9	1284,8	952,6	308,4	1261,0	905,9	332,5	1238,4	857,5	360,5	1218,0
	9	1028,7	291,3	1320,0	982,5	312,8	1295,3	934,8	336,7	1271,5	885,5	364,2	1249,7
279.3	4	929,4	283,6	1213,0	885,4	307,3	1192,7	840,1	335,1	1175,2	793,2	368,2	1161,4
	5	959,3	287,7	1247,0	914,5	311,2	1225,7	868,2	338,5	1206,7	820,4	370,8	1191,2
	6	989,8	291,9	1281,7	944,1	315,3	1259,4	896,8	342,1	1238,9	848,0	373,7	1221,7
	7	1020,8	296,3	1317,1	974,2	319,5	1293,7	926,0	346,0	1272,0	876,2	376,9	1253,1
	8	1052,2	300,7	1352,9	1004,8	323,9	1328,7	955,6	350,0	1305,6	904,9	380,3	1285,2
	9	1084,3	305,1	1389,4	1035,9	328,4	1364,3	985,8	354,3	1340,1	934,0	384,0	1318,0
296.3	4	978,7	297,1	1275,8	932,6	322,7	1255,3	885,0	352,6	1237,6	835,7	388,3	1224,0
	5	1009,9	301,3	1311,2	962,9	326,6	1289,5	914,3	356,0	1270,3	864,1	390,8	1254,9
	6	1041,6	305,5	1347,1	993,7	330,7	1324,4	944,2	359,6	1303,8	893,0	393,6	1286,6
	7	1073,9	309,9	1383,8	1025,1	334,9	1360,0	974,6	363,4	1338,0	922,4	396,7	1319,1
	8	1106,6	314,4	1421,0	1056,9	339,3	1396,2	1005,4	367,5	1372,9	952,2	400,2	1352,4
	9	1140,0	319,0	1459,0	1089,2	343,9	1433,1	1036,8	371,8	1408,6	982,6	403,9	1386,5
312.3	4	1065,8	305,9	1371,7	1016,4	333,2	1349,6	965,2	364,6	1329,8	912,5	401,8	1314,3
	5	1100,6	309,9	1410,5	1050,0	336,9	1386,9	997,9	367,9	1365,8	944,0	404,2	1348,2
	6	1135,8	313,9	1449,7	1084,3	340,8	1425,1	1031,0	371,4	1402,4	976,1	406,9	1383,0
	7	1171,6	318,0	1489,6	1119,1	344,9	1464,0	1064,8	375,1	1439,9	1008,9	409,9	1418,8
	8	1208,1	322,1	1530,2	1154,5	349,0	1503,5	1099,2	379,0	1478,2	1042,2	413,3	1455,5
	9	1245,1	326,4	1571,5	1190,6	353,3	1543,9	1134,2	383,1	1517,3	1075,9	416,8	1492,7
327.3	4	1111,8	321,1	1432,9	1060,5	351,5	1412,0	1007,4	386,6	1394,0	952,5	428,1	1380,6
	5	1147,7	324,9	1472,6	1095,3	355,0	1450,3	1041,2	389,6	1430,8	985,3	430,1	1415,4
	6	1184,2	328,8	1513,0	1130,8	358,7	1489,5	1075,6	392,8	1468,4	1018,6	432,5	1451,1
	7	1221,4	332,7	1554,1	1167,0	362,6	1529,6	1110,6	396,2	1506,8	1052,6	435,2	1487,8
	8	1259,1	336,7	1595,8	1203,7	366,5	1570,2	1146,3	399,9	1546,2	1087,0	438,2	1525,2
	9	1297,5	340,8	1638,3	1240,9	370,7	1611,6	1182,5	403,8	1586,3	1122,1	441,5	1563,6
344.3	4	1157,7	336,4	1494,1	1104,6	369,8	1474,4	1049,6	408,6	1458,2	992,6	454,4	1447,0
	5	1194,9	339,9	1534,8	1140,7	373,1	1513,8	1084,6	411,3	1495,9	1026,6	456,0	1482,6
	6	1232,7	343,6	1576,3	1177,4	376,6	1554,0	1120,2	414,2	1534,4	1061,1	458,1	1519,2
	7	1271,1	347,4	1618,5	1214,8	380,3	1595,1	1156,5	417,4	1573,9	1096,2	460,5	1556,7
	8	1310,2	351,3	1661,5	1252,8	384,1	1636,9	1193,4	420,9	1614,3	1131,9	463,2	1595,1
	9	1349,8	355,2	1705,0	1291,3	388,0	1679,3	1230,9	424,5	1655,4	1168,2	466,2	1634,4
358.3	4	1258,9	337,4	1596,3	1223,9	369,3	1593,2	1186,8	403,0	1589,8	1146,9	438,4	1585,3
	5	1296,5	342,0	1638,5	1259,8	374,2	1634,0	1221,9	408,2	1630,1	1181,3	444,0	1625,3
	6	1334,8	346,8	1681,6	1297,2	379,3	1676,5	1257,4	413,6	1671,0	1216,1	449,8	1665,9
	7	1373,6	351,7	1725,3	1335,2	384,6	1719,8	1294,4	419,3	1713,7	1251,2	455,8	1707,0
	8	1413,0	356,8	1769,8	1373,6	390,1	1763,7	1331,9	425,1	1757,0	1287,6	462,1	1749,7
	9	1452,8	362,1	1814,9	1412,5	395,7	1808,2	1369,9	431,2	1801,1	1324,7	468,5	1793,2

Total heat recovery ratings ALS F SE 426.4 ÷ 495.4

426.4	4	1467,0	419,4	1886,4	1399,8	457,7	1857,5	1330,2	501,9	1832,1	1258,5	553,9	1812,4
	5	1514,0	424,6	1938,6	1445,4	462,6	1908,0	1374,5	506,1	1880,6	1301,3	557,0	1858,3
	6	1561,8	429,8	1991,6	1491,9	467,7	1959,6	1419,6	510,7	1930,3	1344,9	560,6	1905,5
	7	1610,3	435,1	2045,4	1539,1	473,0	2012,1	1465,5	515,5	1981,0	1389,3	564,5	1953,8
	8	1659,7	440,6	2100,3	1587,1	478,5	2065,6	1512,0	520,6	2032,6	1434,5	568,8	2003,3
	9	1709,9	446,1	2156,0	1635,9	484,1	2120,0	1559,4	525,9	2085,3	1480,4	573,4	2053,8
460.4	4	1580,9	452,1	2033,0	1508,3	496,3	2004,6	1433,3	547,4	1980,7	1355,7	607,4	1963,1
	5	1631,5	457,0	2088,5	1557,6	500,9	2058,5	1481,0	551,2	2032,2	1401,8	610,0	2011,8
	6	1683,0	462,1	2145,1	1607,6	505,8	2113,4	1529,6	555,5	2085,1	1448,9	613,1	2062,0
	7	1735,3	467,3	2202,6	1658,5	510,9	2169,4	1579,0	560,0	2139,0	1496,7	616,6	2113,3
	8	1788,5	472,5	2261,0	1710,2	516,1	2226,3	1629,2	564,8	2194,0	1545,3	620,5	2165,8
	9	1842,6	477,9	2320,5	1762,7	521,6	2284,3	1680,2	569,9	2250,1	1594,7	624,8	2219,5
495.4	4	1712,6	454,1	2166,7	1665,2	496,9	2162,1	1614,6	542,1	2156,7	1560,6	589,7	2150,3
	5	1762,7	460,3	2223,0	1713,6	503,6	2217,2	1662,1	549,3	2211,4	1607,0	597,3	2204,3
	6	1814,4	466,8	2281,2	1763,4	510,5	2273,9	1710,1	556,6	2266,7	1654,0	605,3	2259,3
	7	1866,8	473,6	2340,4	1814,6	517,8	2332,4	1759,2	564,3	2323,5	1701,5	613,5	2315,0
	8	1919,9	480,6	2400,5	1866,5	525,3	2391,8	1809,8	572,4	2382,2	1749,7	621,9	2371,6
	9	1973,6	487,8	2461,4	1918,9	533,0	2451,9	1861,0	580,7	2441,7	1799,6	630,8	2430,4

Total heat recovery ratings ALS F XE 163.2÷258.2

Unit size	Leaving chilled water temperature (°C)	LEAVING HEAT RECOVERY CONDENSER WATER TEMPERATURE - °C											
		40			45			50			55		
		Cool. capac. (kW)	Power input (kW)	Heating capac. (kW)	Cool. capac. (kW)	Power input (kW)	Heating capac. (kW)	Cool. capac. (kW)	Power input (kW)	Heating capac. (kW)	Cool. capac. (kW)	Power input (kW)	Heating capac. (kW)
163.2	4	576,6	172,3	748,9	548,8	185,3	734,1	520,2	200,3	720,5	490,8	218,1	708,9
	5	596,4	175,1	771,5	567,9	188,0	755,9	538,7	202,8	741,5	508,5	220,1	728,6
	6	616,6	177,9	794,5	587,4	190,8	778,2	557,5	205,4	762,9	526,6	222,3	748,9
	7	637,2	180,8	818,0	607,4	193,7	801,1	576,8	208,1	784,9	545,2	224,7	769,9
	8	658,3	183,7	842,0	627,8	196,7	824,5	596,4	210,9	807,3	564,1	227,2	791,3
178.2	4	640,7	185,6	826,3	610,4	200,2	810,6	579,1	216,9	796,0	546,9	236,6	783,5
	5	661,9	188,4	850,3	630,9	202,9	833,8	598,9	219,4	818,3	566,1	238,6	804,7
	6	683,4	191,2	874,6	651,8	205,7	857,5	619,1	222,0	841,1	585,6	240,8	826,4
	7	705,3	194,1	899,4	673,0	208,6	881,6	639,8	224,7	864,5	605,4	243,2	848,6
	8	727,6	197,0	924,6	694,7	211,6	906,3	660,7	227,6	888,3	625,7	245,8	871,5
196.2	4	697,0	197,8	894,8	664,0	213,9	877,9	630,2	232,4	862,6	595,1	254,2	849,3
	5	720,0	200,7	920,7	686,3	216,7	903,0	651,7	234,9	886,6	615,9	256,2	872,1
	6	743,2	203,5	946,7	708,9	219,6	928,5	673,5	237,5	911,0	637,1	258,4	895,5
	7	766,9	206,5	973,4	731,9	222,5	954,4	695,9	240,3	936,2	658,7	260,8	919,5
	8	791,0	209,4	1000,4	755,4	225,5	980,9	718,5	243,2	961,7	680,6	263,3	943,9
212.2	4	762,9	215,2	978,1	726,6	234,2	960,8	689,1	256,0	945,1	650,4	281,6	932,0
	5	788,2	217,9	1006,1	751,1	236,9	988,0	712,8	258,4	971,2	673,3	283,4	956,7
	6	813,8	220,8	1034,6	775,9	239,7	1015,6	736,9	260,9	997,8	696,6	285,5	982,1
	7	840,0	223,7	1063,7	801,3	242,6	1043,9	761,4	263,6	1025,0	720,3	287,7	1008,0
	8	866,6	226,6	1093,2	827,1	245,6	1072,7	786,4	266,5	1052,9	744,4	290,2	1034,6
229.2	4	818,2	231,2	1049,4	779,3	253,2	1032,5	739,1	278,6	1017,7	697,7	308,3	1006,0
	5	845,1	233,8	1078,9	805,5	255,8	1061,3	764,5	280,7	1045,2	722,1	309,8	1031,9
	6	872,5	236,6	1109,1	832,0	258,4	1090,4	790,2	283,1	1073,3	747,0	311,6	1058,6
	7	900,4	239,4	1139,8	859,1	261,2	1120,3	816,4	285,6	1102,0	772,3	313,6	1085,9
	8	928,9	242,2	1171,1	886,6	264,1	1150,7	843,1	288,3	1131,4	798,1	315,8	1113,9
240.3	4	861,8	263,6	1125,4	819,8	283,6	1103,4	776,6	306,7	1083,3	732,0	334,3	1066,3
	5	890,6	267,9	1158,5	847,8	287,7	1135,5	803,6	310,4	1114,0	758,0	337,3	1095,3
	6	920,1	272,2	1192,3	876,2	292,0	1168,2	831,1	314,4	1145,5	784,4	340,6	1125,0
	7	950,1	276,7	1226,8	905,3	296,4	1201,7	859,1	318,5	1177,6	811,4	344,2	1155,6
	8	980,6	281,2	1261,8	934,8	301,0	1235,8	887,7	322,9	1210,6	838,9	348,1	1187,0
241.2	4	826,8	225,5	1052,3	803,4	246,8	1050,2	778,5	269,3	1047,8	751,7	292,9	1044,6
	5	851,2	228,5	1079,7	827,4	250,0	1077,4	802,0	272,7	1074,7	774,8	296,6	1071,4
	6	875,9	231,5	1107,4	851,6	253,3	1104,9	825,6	276,3	1101,9	797,9	300,4	1098,3
	7	900,9	234,7	1135,6	876,1	256,7	1132,8	849,8	279,9	1129,7	821,5	304,4	1125,9
	8	926,3	237,9	1164,2	900,9	260,2	1161,1	874,0	283,7	1157,7	845,2	308,4	1153,6
258.2	4	836,5	226,8	1063,3	812,7	248,2	1060,9	787,2	270,7	1057,9	760,0	294,4	1054,4
	5	861,3	229,9	1091,2	837,0	251,5	1088,5	811,0	274,2	1085,2	783,3	298,2	1081,5
	6	886,4	233,0	1119,4	861,6	254,8	1116,4	835,1	277,9	1113,0	806,9	302,1	1109,0
	7	912,0	236,2	1148,2	886,5	258,3	1144,8	859,5	281,6	1141,1	830,8	306,1	1136,9
	8	937,7	239,6	1177,3	911,8	261,9	1173,7	884,3	285,5	1169,8	854,9	310,3	1165,2
	9	963,9	243,1	1207,0	937,3	265,7	1203,0	909,2	289,5	1198,7	879,3	314,5	1193,8

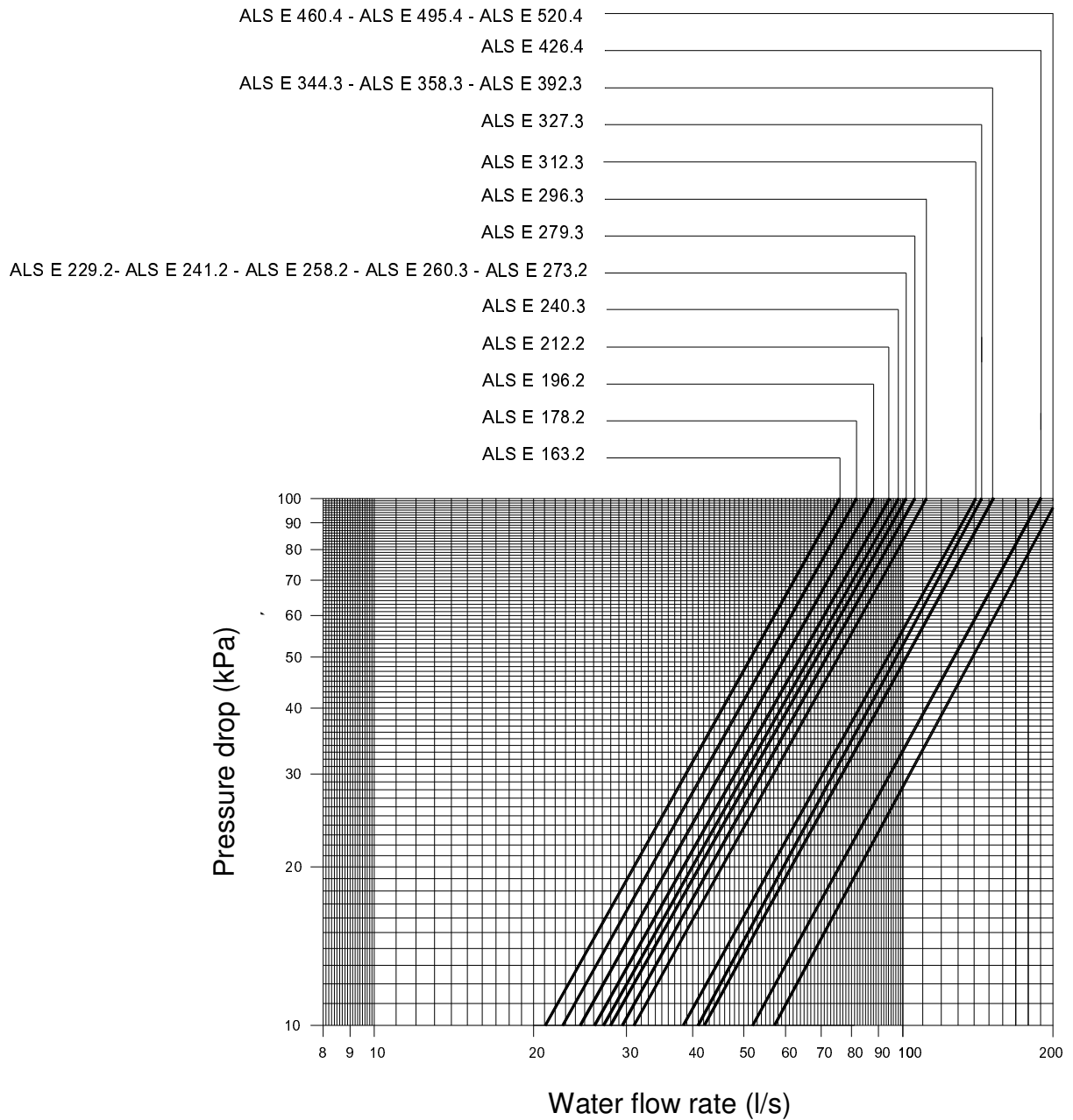
Total heat recovery ratings ALS F XE 260.3 ÷ 358.3

Unit size	Leaving chilled water temperature (°C)	LEAVING HEAT RECOVERY CONDENSER WATER TEMPERATURE - °C											
		40			45			50			55		
		Cool. capac. (kW)	Power input (kW)	Heating capac. (kW)	Cool. capac. (kW)	Power input (kW)	Heating capac. (kW)	Cool. capac. (kW)	Power input (kW)	Heating capac. (kW)	Cool. capac. (kW)	Power input (kW)	Heating capac. (kW)
260.3	4	917,7	270,2	1187,9	873,5	291,3	1164,8	828,0	315,6	1143,6	781,2	344,5	1125,7
	5	948,7	274,4	1223,1	903,5	295,3	1198,8	857,1	319,3	1176,4	809,1	347,4	1156,5
	6	980,3	278,6	1258,9	934,1	299,5	1233,6	886,6	323,1	1209,7	837,6	350,6	1188,2
	7	1012,5	282,9	1295,4	965,3	303,8	1269,1	916,7	327,1	1243,8	866,6	354,1	1220,7
	8	1045,1	287,2	1332,3	997,0	308,2	1305,2	947,4	331,4	1278,8	896,2	357,8	1254,0
	9	1078,5	291,6	1370,1	1029,4	312,8	1342,2	978,7	335,8	1314,5	926,5	361,8	1288,3
273.2	4	909,2	236,2	1145,4	883,5	258,2	1141,7	856,3	281,3	1137,6	827,4	305,7	1133,1
	5	935,3	239,7	1175,0	909,1	261,9	1171,0	881,3	285,3	1166,6	851,7	310,0	1161,7
	6	961,7	243,3	1205,0	934,9	265,7	1200,6	906,4	289,4	1195,8	876,2	314,3	1190,5
	7	988,2	247,0	1235,2	960,9	269,7	1230,6	931,9	293,7	1225,6	901,0	318,9	1219,9
	8	1015,0	250,9	1265,9	987,0	273,9	1260,9	957,5	298,1	1255,6	926,2	323,5	1249,7
	9	1042,9	255,0	1297,9	1013,4	278,2	1291,6	983,2	302,7	1285,9	951,3	328,4	1279,7
279.3	4	978,8	283,1	1261,9	931,7	305,7	1237,4	883,3	331,8	1215,1	833,5	362,6	1196,1
	5	1011,6	287,3	1298,9	963,6	309,8	1273,4	914,0	335,4	1249,4	863,1	365,5	1228,6
	6	1045,0	291,6	1336,6	995,9	314,1	1310,0	945,4	339,3	1284,7	893,3	368,8	1262,1
	7	1079,0	296,0	1375,0	1029,0	318,4	1347,4	977,4	343,4	1320,8	924,1	372,3	1296,4
	8	1113,7	300,4	1414,1	1062,5	322,9	1385,4	1009,9	347,7	1357,6	955,6	376,1	1331,7
	9	1149,1	304,9	1454,0	1096,8	327,6	1424,4	1043,1	352,2	1395,3	987,7	380,1	1367,8
296.3	4	1016,3	307,1	1323,4	966,2	332,5	1298,7	914,6	362,2	1276,8	861,5	397,5	1259,0
	5	1049,8	311,7	1361,5	998,7	336,9	1335,6	946,0	366,0	1312,0	891,7	400,4	1292,1
	6	1083,8	316,4	1400,2	1031,5	341,4	1372,9	977,8	370,1	1347,9	922,4	403,7	1326,1
	7	1118,4	321,3	1439,7	1065,1	346,2	1411,3	1010,2	374,4	1384,6	953,6	407,3	1360,9
	8	1153,6	326,2	1479,8	1099,2	351,1	1450,3	1043,2	379,0	1422,2	985,4	411,3	1396,7
	9	1189,4	331,2	1520,6	1133,9	356,1	1490,0	1076,8	383,8	1460,6	1017,8	415,5	1433,3
312.3	4	1119,0	314,9	1433,9	1064,5	341,8	1406,3	1008,5	372,6	1381,1	950,8	408,9	1359,7
	5	1156,8	319,2	1476,0	1101,1	346,0	1447,1	1043,8	376,3	1420,1	984,9	411,8	1396,7
	6	1195,3	323,6	1518,9	1138,5	350,3	1488,8	1080,0	380,3	1460,3	1019,7	415,0	1434,7
	7	1234,6	328,1	1562,7	1176,5	354,9	1531,4	1116,7	384,6	1501,3	1055,1	418,6	1473,7
	8	1274,6	332,7	1607,3	1215,3	359,5	1574,8	1154,2	389,0	1543,2	1091,3	422,5	1513,8
	9	1315,3	337,3	1652,6	1254,7	364,3	1619,0	1192,4	393,6	1586,0	1128,2	426,6	1554,8
327.3	4	1181,5	331,6	1513,1	1123,8	361,5	1485,3	1064,4	395,7	1460,1	1003,3	435,9	1439,2
	5	1221,5	335,9	1557,4	1162,6	365,6	1528,2	1101,9	399,3	1501,2	1039,4	438,6	1478,0
	6	1262,3	340,3	1602,6	1202,0	369,9	1571,9	1140,0	403,2	1543,2	1076,1	441,7	1517,8
	7	1303,8	344,7	1648,5	1242,3	374,3	1616,6	1178,9	407,3	1586,2	1113,6	445,1	1558,7
	8	1346,1	349,2	1695,3	1283,3	378,9	1662,2	1218,6	411,6	1630,2	1151,8	448,8	1600,6
	9	1389,2	353,7	1742,9	1325,0	383,6	1708,6	1259,0	416,1	1675,1	1190,9	452,8	1643,7
344.3	4	1244,1	348,4	1592,5	1183,3	381,2	1564,5	1120,5	418,8	1539,3	1056,0	462,9	1518,9
	5	1286,4	352,6	1639,0	1224,1	385,2	1609,3	1160,0	422,3	1582,3	1094,0	465,4	1559,4
	6	1329,3	356,9	1686,2	1265,7	389,4	1655,1	1200,3	426,0	1626,3	1132,7	468,3	1601,0
	7	1373,1	361,3	1734,4	1308,1	393,8	1701,9	1241,3	430,0	1671,3	1172,2	471,6	1643,8
	8	1417,8	365,7	1783,5	1351,4	398,3	1749,7	1283,0	434,3	1717,3	1212,5	475,1	1687,6
	9	1463,2	370,2	1833,4	1395,3	403,0	1798,3	1325,6	438,7	1764,3	1253,6	479,0	1732,6
358.3	4	1255,5	340,5	1596,0	1220,3	372,6	1592,9	1182,9	406,4	1589,3	1142,8	442,0	1584,8
	5	1292,9	345,1	1638,0	1256,1	377,5	1633,6	1218,0	411,7	1629,7	1177,1	447,7	1624,8
	6	1331,2	349,9	1681,1	1293,3	382,6	1675,9	1253,4	417,1	1670,5	1211,8	453,6	1665,4
	7	1369,9	354,9	1724,8	1331,2	388,0	1719,2	1290,2	422,8	1713,0	1246,9	459,6	1706,5
	8	1409,1	360,0	1769,1	1369,6	393,5	1763,1	1327,6	428,8	1756,4	1283,0	465,8	1748,8
	9	1448,9	365,4	1814,3	1408,4	399,2	1807,6	1365,5	434,9	1800,4	1319,9	472,4	1792,3

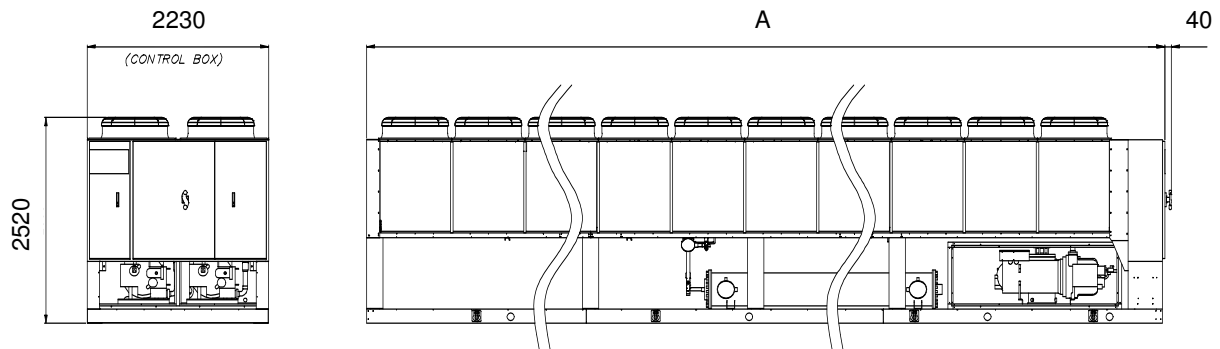
Total heat recovery ratings ALS F XE 392.3 ÷ 520.4

Unit size	Leaving chilled water temperature (°C)	LEAVING HEAT RECOVERY CONDENSER WATER TEMPERATURE - °C											
		40			45			50			55		
		Cool. capac. (kW)	Power input (kW)	Heating capac. (kW)	Cool. capac. (kW)	Power input (kW)	Heating capac. (kW)	Cool. capac. (kW)	Power input (kW)	Heating capac. (kW)	Cool. capac. (kW)	Power input (kW)	Heating capac. (kW)
392.3	4	1304,9	346,8	1651,7	1266,7	379,1	1645,8	1226,8	413,2	1640,0	1186,0	449,3	1635,3
	5	1344,5	351,8	1696,3	1305,3	384,5	1689,8	1263,7	418,9	1682,6	1220,7	455,2	1675,9
	6	1384,0	357,0	1741,0	1344,5	390,1	1734,6	1301,9	424,9	1726,8	1256,7	461,5	1718,2
	7	1423,8	362,3	1786,1	1383,4	395,8	1779,2	1340,6	431,0	1771,6	1294,4	468,1	1762,5
	8	1463,8	367,8	1831,6	1422,7	401,7	1824,4	1379,0	437,4	1816,4	1332,6	474,9	1807,5
	9	1504,2	373,5	1877,7	1462,3	407,8	1870,1	1417,7	443,9	1861,6	1370,4	481,9	1852,3
426.4	4	1515,2	429,0	1944,2	1443,3	467,2	1910,5	1369,3	511,0	1880,3	1292,9	562,5	1855,4
	5	1565,1	434,5	1999,6	1491,7	472,5	1964,2	1416,0	515,7	1931,7	1338,1	566,0	1904,1
	6	1615,8	440,1	2055,9	1540,9	478,0	2018,9	1463,7	520,6	1984,3	1384,1	570,0	1954,1
	7	1667,4	445,8	2113,2	1591,0	483,7	2074,7	1512,2	525,9	2038,1	1431,0	574,4	2005,4
	8	1719,9	451,6	2171,5	1642,0	489,6	2131,6	1561,7	531,5	2093,2	1478,7	579,2	2057,9
	9	1773,4	457,5	2230,9	1693,9	495,6	2189,5	1612,0	537,3	2149,3	1527,3	584,3	2111,6
460.4	4	1636,4	462,4	2098,8	1558,6	506,5	2065,1	1478,3	557,1	2035,4	1395,4	616,5	2011,9
	5	1690,2	467,7	2157,9	1610,8	511,5	2122,3	1528,8	561,5	2090,3	1444,3	619,6	2063,9
	6	1745,1	473,2	2218,3	1664,1	516,9	2181,0	1580,3	566,2	2146,5	1494,0	623,2	2117,2
	7	1801,0	478,7	2279,7	1718,1	522,4	2240,5	1632,9	571,2	2204,1	1544,6	627,2	2171,8
	8	1857,7	484,4	2342,1	1773,4	528,1	2301,5	1686,2	576,5	2262,7	1596,2	631,7	2227,9
	9	1915,5	490,1	2405,6	1829,4	534,0	2363,4	1740,5	582,1	2322,6	1648,7	636,5	2285,2
495.4	4	1707,9	458,2	2166,1	1660,3	501,3	2161,6	1609,4	546,7	2156,1	1555,0	594,5	2149,5
	5	1757,9	464,5	2222,4	1708,7	508,0	2216,7	1656,8	554,0	2210,8	1601,3	602,3	2203,6
	6	1809,4	471,1	2280,5	1758,1	515,0	2273,1	1704,7	561,4	2266,1	1648,2	610,3	2258,5
	7	1861,7	477,9	2339,6	1809,2	522,3	2331,5	1753,5	569,1	2322,6	1695,5	618,5	2314,0
	8	1914,7	484,9	2399,6	1860,9	529,9	2390,8	1803,9	577,2	2381,1	1743,5	627,0	2370,5
	9	1968,2	492,2	2460,4	1913,2	537,7	2450,9	1855,0	585,6	2440,6	1793,2	635,9	2429,1
520.4	4	1818,4	472,4	2290,8	1767,1	516,4	2283,5	1712,8	562,7	2275,5	1654,8	611,4	2266,2
	5	1870,7	479,3	2350,0	1818,2	523,8	2342,0	1762,5	570,6	2333,1	1703,5	619,9	2323,4
	6	1923,4	486,5	2409,9	1869,9	531,4	2401,3	1812,9	578,8	2391,7	1752,5	628,7	2381,2
	7	1976,5	494,0	2470,5	1921,8	539,4	2461,2	1863,9	587,3	2451,2	1802,1	637,7	2439,8
	8	2029,9	501,8	2531,7	1974,1	547,8	2521,9	1915,0	596,2	2511,2	1852,2	647,1	2499,3
	9	2085,6	510,1	2595,7	2026,7	556,4	2583,1	1966,4	605,3	2571,7	1902,5	656,8	2559,3

Pressure drop for total heat recovery ALS F SE ST, LN, XN, XXN - ALS F XE ST, LN, XN



Dimensions



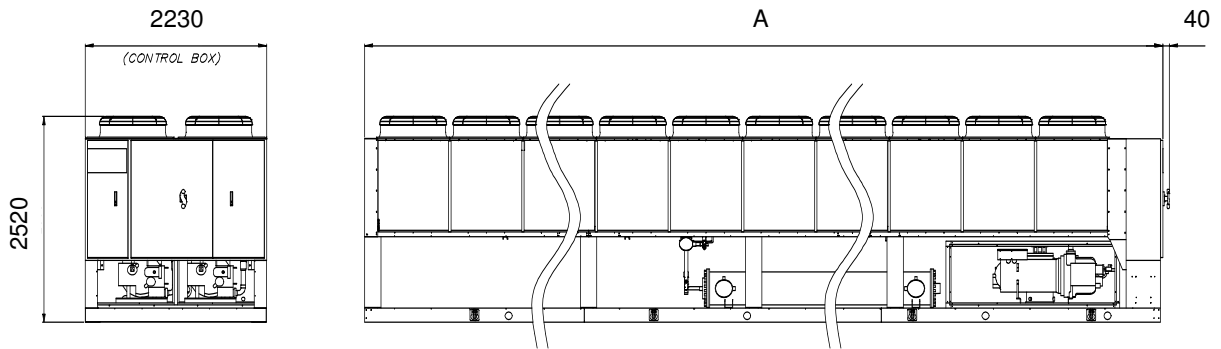
ALS F SE 178.2 ÷ 241.2 ST, LN, XN / 163.2 ÷ 229.2 XXN
ALS F XE 178.2 ÷ 273.2 ST, LN, XN / 163.2 ÷ 196.2 XXN

ALS F SE units	Length – A (mm)	ALS F XE units	Length – A (mm)
ST-LN-XN		ST-LN-XN	
ALS F SE 178.2 ÷ 196.2 ST, LN, XN	5310	ALS F XE 178.2 ÷ 196.2 ST, LN, XN	6210
ALS F SE 212.2 ÷ 241.2 ST, LN, XN	6210	ALS F XE 212.2 ÷ 241.2 ST, LN, XN	7110
		ALS F XE 258.2 ÷ 273.2 ST, LN, XN	8300
XXN		XXN	
ALS F SE 163.2 XXN	5310	ALS F XE 163.2 XXN	6210
ALS F SE 178.2 ÷ 196.2 XXN	6210	ALS F XE 178.2 ÷ 196.2 XXN	7110
ALS F SE 212.2 ÷ 229.2 XXN	7110		

ALS F SE 279.3 ÷ 358.3 ST, LN, XN / 240.3 ÷ 344.3 XXN
ALS F XE 279.3 ÷ 392.3 ST, LN, XN / 240.3 ÷ 296.3 XXN

ALS F SE units	Length – A (mm)	ALS F XE units	Length – A (mm)
ST-LN-XN		ST-LN-XN	
ALS F SE 279.3 ST, LN, XN	7400	ALS F XE 279.3 ÷ 296.3 ST, LN, XN	9200
ALS F SE 296.3 ÷ 312.3 ST, LN, XN	8270	ALS F XE 312.3 ÷ 327.3 ST, LN, XN	10100
ALS F SE 327.3 ÷ 358.3 ST, LN, XN	9200	ALS F XE 344.3 ÷ 358.3 ST, LN, XN	11000
		ALS F XE 392.3 ST, LN, XN	12800
XXN		XXN	
ALS F SE 240.3 ÷ 260.3 XXN	8300	ALS F XE 240.3 XXN	9200
ALS F SE 279.3 ÷ 296.3 XXN	9200	ALS F XE 260.3 ÷ 279.3 XXN	10100
ALS F SE 312.3 ÷ 327.3 XXN	10100	ALS F XE 296.3 XXN	11000
ALS F SE 344.3 XXN	11000		

Dimensions



ALS F SE 426.4 ÷ 495.4 ST, LN, XN
ALS F XE 426.4 ÷ 520.4 ST, LN, XN

ALS F SE units	Length – A (mm)	ALS F XE units	Length – A (mm)
ST-LN-XN		ST-LN-XN	
ALS F SE 426.4 ST, LN, XN	11000	ALS F XE 426.4 ST, LN, XN	12800
ALS F SE 460.4 ÷ 495.4 ST, LN, XN	11900	ALS F XE 460.4 ÷ 520.4 ST, LN, XN	13670

Technical specifications - ALS F Frame 4 Air cooled screw chillers

To supply and install, where specified in the project n unit(s) air cooled water chiller with cooling capacity of kW, to cool l/sec. of water from °C to working with °C ambient temperature. The unit should work with electricity at V, 3ph, 50Hz. The electrical power absorbed should not exceed kW. The units COP will be at least at the working conditions of the project. Part load COP will be at least at the working conditions of the project. For the units with 2, 3 and 4 compressors the chillers will have (2), (3) or (4) independent refrigerant circuits, and the respective electronic microprocessor will allow the starting of the compressors. Each chiller will be factory assembled on a robust base frame made of zinc-coated steel, protected by epoxy paint. The unit will be tested at full load in the factory at the nominal working conditions and water temperatures. Before shipment a full test will be held to avoid any losses, and the units will be filled with oil and refrigerant.

General – All units should be designed and manufactured in accordance with applicable selections of the following which are equivalent to American Air-conditioning industry applicable codes:

Rating of chillers: EN 12055.

Construction of pressure vessel: TUV Standards (on request).

Electrical codes: IEC 204-1 CEI 44-5 Elect. & Safety Codes

Safety Codes: CEI-EN 60204–1 Codes.

Manufacturing Quality Stds: ISO 9001:2000.

Refrigerant - only HFC 134a will be accepted.

Noise level and vibrations – Sound pressure level at 1 meter distance in free field shall not exceeddBA

Vibration level should not exceed 2 mm/s.

Units will have the following components:

Compressors - The compressor should be single screw type with one main screw rotor that meshes with two diametrically opposed gaterotors. The two exactly opposed gaterotors create two exactly opposed compression cycles which results in balanced forces acting on the compressor. The gaterotors will be constructed of a carbon impregnated engineered composite material. The gaterotor supports will be constructed of cast iron.

Oil injection shall be used for these compressors in order to get high COP at high condensing pressure. The unit shall be provided with an oil separator and it will be the high efficiency, augmented gas impingement type to maximise oil extraction.

Evaporator - The units will be supplied with optimised counter-flow evaporator single refrigerant pass. It will be direct expansion (2 evaporators for units with 4 compressors) with refrigerant inside the tubes and water outside (shell side) with carbon steel tube sheets, with straight copper tubes that are spirally wound internally for higher efficiencies, expanded on the tube plates. The external shell, will be linked with an electrical heater to prevent freezing to -28 C ambient temperature, commanded by a thermostat and will be covered with a closed cell insulation material. Each evaporator will have 2 or 3 refrigerant circuits one for each compressor. Each evaporator is manufactured in accordance to PED approval.

Condenser coil - The condenser coils are constructed with internally enhanced seamless copper tubes having a "W" configuration and arranged in a staggered row pattern and mechanically expanded into lanced and rippled aluminium fins with full fin collars for higher efficiencies. The space between the fins are given by a collar that will increase the surface area in connection with the tubes, protecting them from ambient corrosion. The coils will have an integral sub-cooler circuit which provides sufficient sub-cooling to effectively eliminate the possibility of liquid flashing and increase the unit's efficiency of 5-7% without an increase in power absorbed, and the surface area will be designed in order to have an air velocity not higher than 2.8 m/sec.

Condenser fans - The fans used in conjunction with the condenser coils, are helical type with aerofoil blades for higher efficiencies and lower noise. The air discharge is vertical and each fan will be coupled to the electrical motor, supplied as standard to IP54 and capable to work to ambient temperatures of -40 C to +55 C. Each fan will be controlled by the condensing pressure of the relevant cooling circuit. There is also an accident protection within the motors.

Electronic expansion valve - Each refrigerant circuit will be equipped with all the necessary components in order to ensure the workings and service (dehydration filter, liquid sight glass, shut-off valve, load connection, pressure switch etc.) and an electronic expansion valve that allows a simple control system that quickly interacts at load variations. This valve combines two functions: liquid solenoid and electronic expansion valve. It is managed directly by a microprocessor.

Control panel - Field power connection, control interlock terminals, and unit control system should be centrally located in an electric panel (IP 54). Power and starting controls should be separate from safety and operating controls in different compartments of the same panel. Starting will be star/delta type. Power and

starting controls should include fuses and contactors for each compressor winding and fan motors. Operating and safety controls should include energy saving control; emergency stop switch; overload protection for compressor motor; high and low pressure cut-out switch (for each refrigerant circuit); anti-freeze thermostat; cut-out switch for each compressor.

All of the information regarding the unit will be reported on a display and with the internal built-in calendar and clock that will switch the unit ON/OFF during day time all year long.

Regulation of cooling capacity - Each unit will have a microprocessor for the control and operation of the unit that should have a infinitely variable capacity control down to 6,25% (four compressors), to 8,3% (three compressors), to 12,5% (two compressors) of the cooling capacity.

High and low temperature function - The units will be provided with an automatic control for condensing pressure which ensures the working at low external temperatures down to +10 C, because of the ON/OFF of the condenser fans, to maintain condensing pressure. Fan speed control should be available as option.

Refrigerant piping - Refrigerant circuit should include a factory insulated suction line, manual liquid line shut-off valve with charging connection, refrigerant filter drier with replaceable core, sensor indicator, electronic expansion valve and relief valve.

We reserve the right to make changes in design and construction at any time without notice, thus the cover picture is not binding.

McQuay partecipa al programma di
Certificazione Eurovent.
I prodotti interessati figurano nella Guida
Eurovent dei Prodotti Certificati.



McQuay is participating in the Eurovent
Certification Program
Product are as listed in the Eurovent
Directory of Certified Products

McQuay[®]
International

McQuay Italia S.P.A.

S.S. Nettunense, km 12+300 – 00040 Cecchina (Roma) Italia – Tel. (06) 937311 – Fax (06) 9374014 – email: info@mcquayeuropa.com

www.mcquayeuropa.com